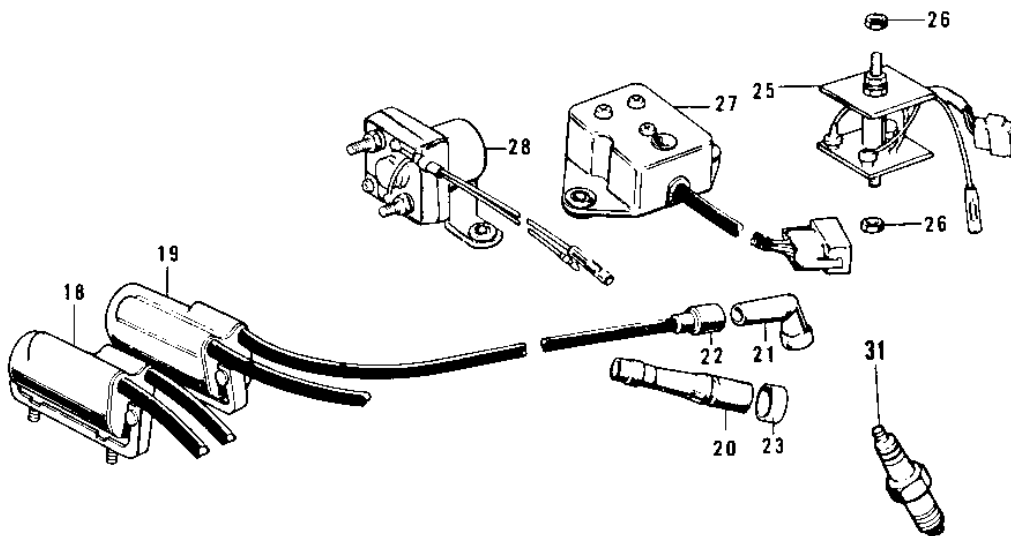
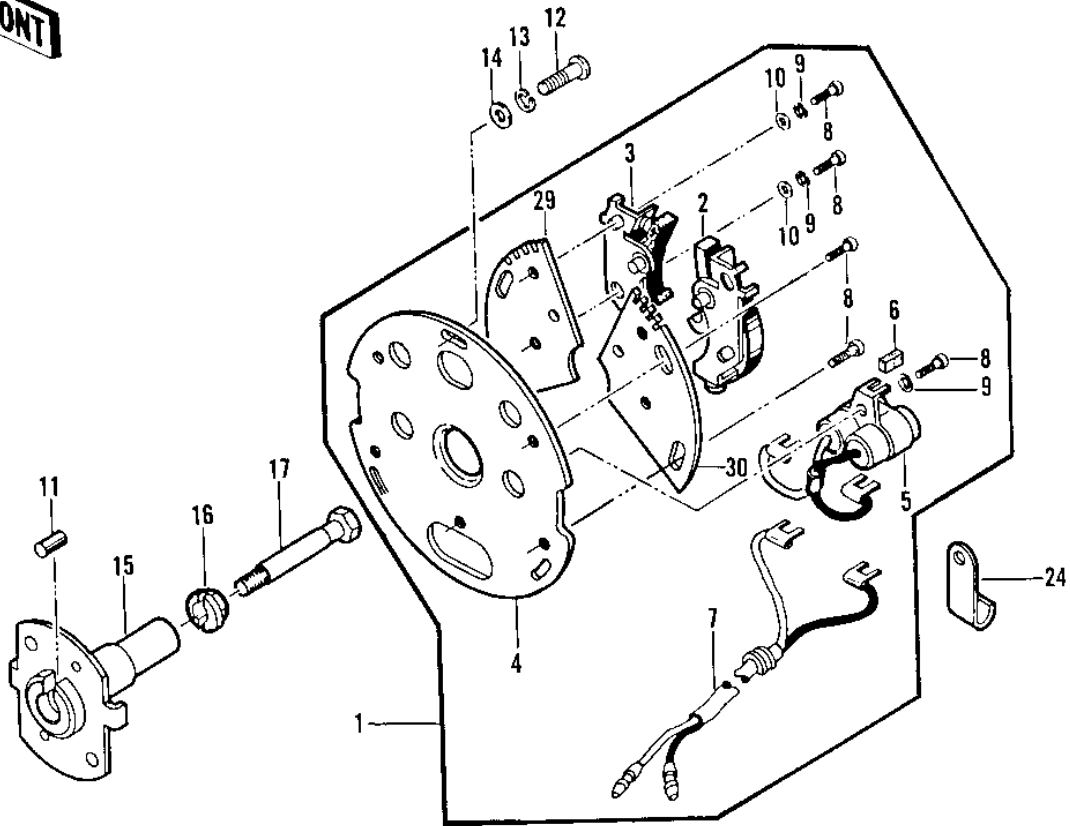


# 1975 Z1

## PARTS DIAGRAM

### IGNITION/REGULATOR/RECTIFIER



# 1975 Z1

## PARTS LIST

### IGNITION/REGULATOR/RECTIFIER

**Kawasaki**

Let the Good Times Roll®

ITEM NAME	PART NUMBER	QUANTITY
BREAKER,CONTACT (Ref # 1)	21135-011	
BREAKER,CONTACT (Ref # 1)	21135-011	
BREAKER,CONTACT (Ref # 2)	21008-027	
BREAKER,CONTACT (Ref # 3)	21008-028	
PLATE,CONTACT BREAKER (Ref # 4)	21021-003	
PLATE,CONTACT BREAKER (Ref # 4)	21021-004	
CONDENSER (Ref # 5)	21013-035	
FELT OIL (Ref # 6)	21019-005	
WIRING HARNESS,BRAKE (Ref # 7)	21029-037	
SCREW PAN HEAD 4X8 (Ref # 8)	220B0408	
WASHER SPRING 4MM (Ref # 9)	461F0400	
WASHER PLAIN 4MM (Ref # 10)	410B0400	
PIN,DOWEL,4X8 (Ref # 11)	551A0408	
SCREW PAN HEAD 5X12 (Ref # 12)	220B0512	
WASHER SPRING 5MM (Ref # 13)	461F0500	
WASHER PLAIN 5MM (Ref # 14)	410B0500	
ADVANCER,SPARK (Ref # 15)	21148-010	
ADVANCER,SPARK (Ref # 15)	21148-010	
WASHER,SPARK ADVANCER (Ref # 16)	92022-244	
BOLT,SPARK ADVANCER (Ref # 17)	92001-113	
IGNITION COIL (Ref # 18)	21121-1003	
IGNITION COIL (Ref # 18)	21121-1003	
COIL,IGNITION(W/CAP) (Ref # 19)	21171-1019	
COIL,IGNITION(W/CAP) (Ref # 19)	21171-1019	
CAP,SPARK PLUG (Ref # 20)	21130-019	
CAP SPARK PLUG (Ref # 21)	21160-1014	
GROMMET,HIGH TENSION (Ref # 22)	21131-005	
GROMMET,PLUG CAP (Ref # 23)	21131-006	
CLAMP,WIRING HARNESS (Ref # 24)	21126-008	

# 1975 Z1

## PARTS LIST

### IGNITION/REGULATOR/RECTIFIER

ITEM NAME	PART NUMBER	QUANTITY
RECTIFIER (Ref # 25)	21061-019	
RECTIFIER (Ref # 25)	21061-019	
NUT 6MM (Ref # 26)	311B0600	
REGULATOR,VOLTAGE (Ref # 27)	21066-019	
REGULATOR,VOLTAGE (Ref # 27)	21066-019	
REGULATOR,VOLTAGE (Ref # 27)	21066-019	
SWITCH ASSY,MAGNETIC (Ref # 28)	27010-1023	
PLATE,CONTACT BREAKER (Ref # 29)	21156-008	
PLATE,CONTACT BREAKER (Ref # 29)	21156-010	
PLATE,CONTACT BREAKER (Ref # 30)	21156-009	
PLATE,CONTACT BREAKER (Ref # 30)	21156-010	
SPARK PLUG B8ES (Ref # 31)	B8ES	