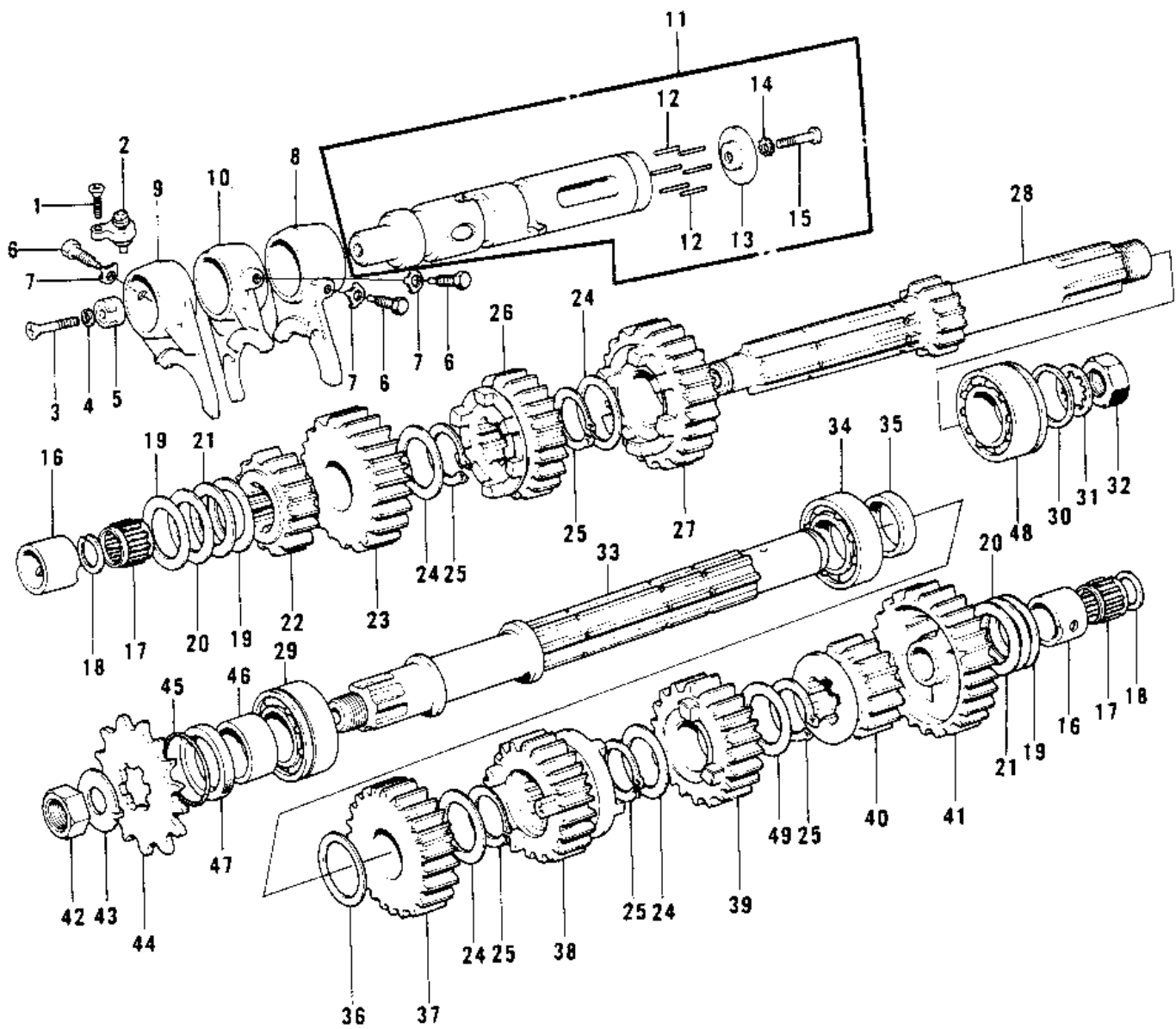


# 1973 Mach IV

## PARTS DIAGRAM

### TRANSMISSION/CHANGE DRUM



# 1973 Mach IV

## PARTS LIST

### TRANSMISSION/CHANGE DRUM

**ITEM NAME**

**PART NUMBER**

**QUANTITY**

---