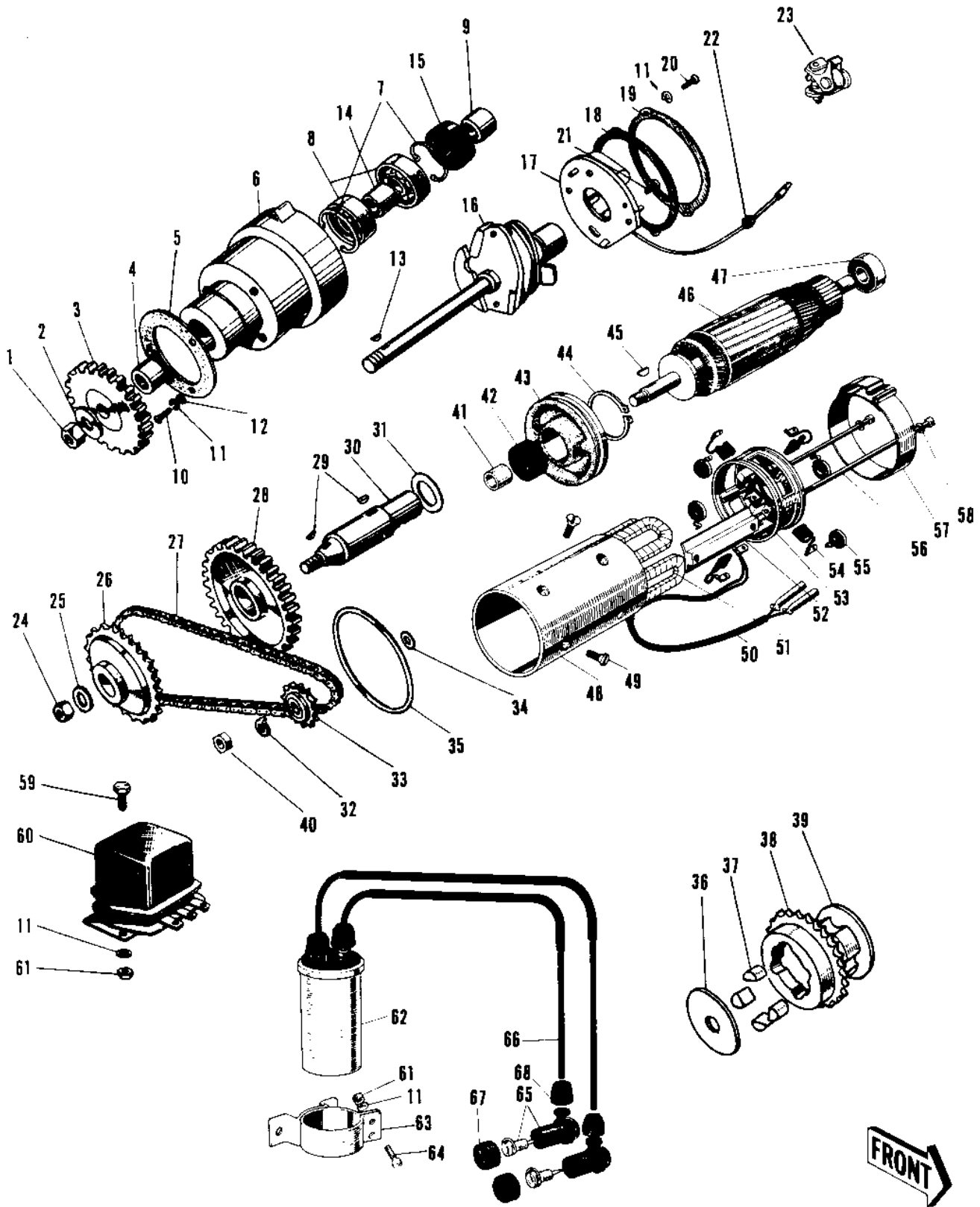


# 1968 Commander

## PARTS DIAGRAM

### IGNITION/GENERATOR/REGULATOR



# 1968 Commander

## PARTS LIST

### IGNITION/GENERATOR/REGULATOR

**ITEM NAME**

**PART NUMBER**

**QUANTITY**

---