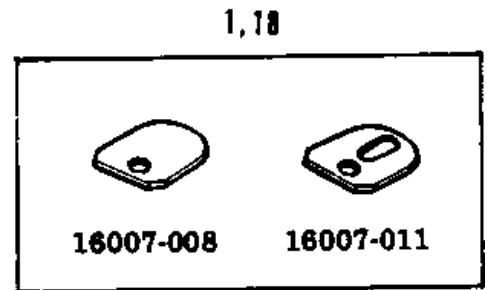
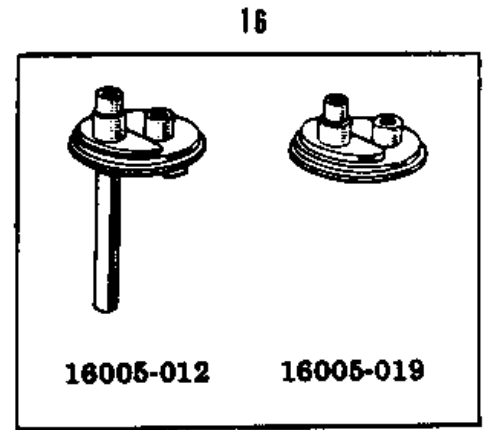
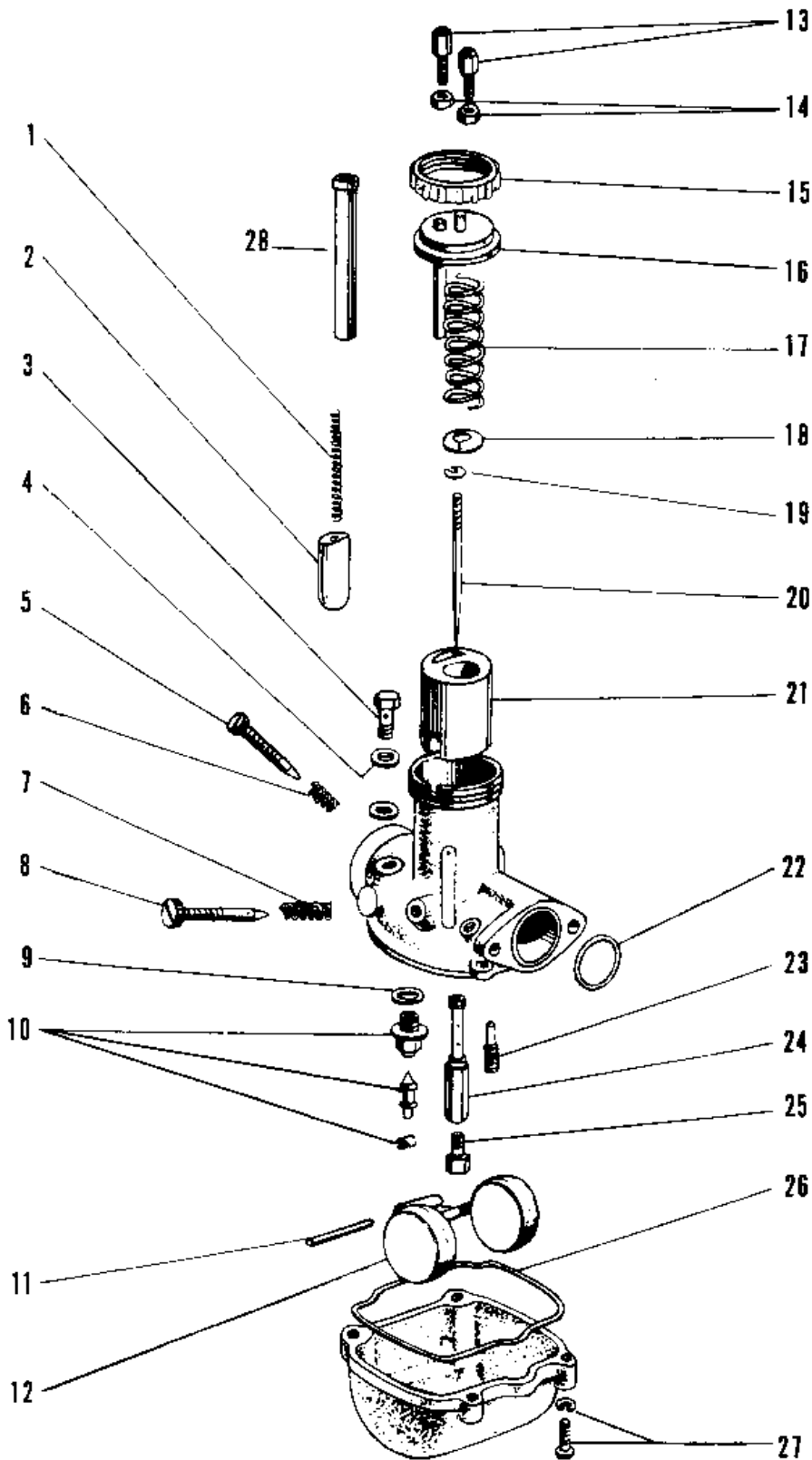


1968 W1SS

PARTS DIAGRAM

CARBURETOR (W1/W1SS)



1968 W1SS

PARTS LIST

CARBURETOR (W1/W1SS)

ITEM NAME	PART NUMBER	QUANTITY
CARBURETOR ASSY (Ref # 1~28)	16001-057	1
SPRING AIR SHUTTER (Ref # 1)	16040-003	1
SHUTTER AIR (Ref # 2)	16041-003	1
BOLT BANJO (Ref # 3)	92060-006	1
GASKET,10,2X15X1.5T (Ref # 4)	11009-1146	2
SCREW PILOT AIR ADJST (Ref # 5)	16014-008	1
SPRING,THROTTLE ADJST (Ref # 6)	16022-010	1
SPRING THR STOP SCREW (Ref # 7)	16022-005	1
SCREW THROTTLE STOP (Ref # 8)	16021-007	1
WASHER FLOAT VLV SEAT (Ref # 9)	16029-005	1
FLOAT VALVE ASSY (Ref # 10)	16030-006	1
FLOAT PIN (Ref # 11)	16032-003	1
FLOAT (Ref # 12)	16031-009	1
CABLE ADJUSTER (Ref # 13)	16002-002	2
NUT CABLE ADJUST LOCK (Ref # 14)	16003-004	2
CAP MIXING CHAMBER (Ref # 15)	16004-007	1
TOP MIXING CHAMBER (Ref # 16)	16005-012	1
TOP MIXING CHAMBER (Ref # 16)	16005-019	1
SPRING THROTTLE VALVE (Ref # 17)	16006-009	1
SPRING SEAT THRTL VLV (Ref # 18)	16007-011	(1
SPRING SEAT THRTL VLV (Ref # 18)	16007-011	1
CIRCLIP (Ref # 19)	16008-010	1
JET NEEDLE 5L1 (Ref # 20)	16009-017	1
VALVE THROTTLE CA 2.0 (Ref # 21)	16025-017	1
"O" RING,MANIFOLD (Ref # 22)	16038-006	1
PILOT JET #50 (Ref # 23)	92064-007	1
NEEDLE JET P-O (Ref # 24)	16017-021	1
MAIN JET NO 440A (Ref # 25)	92063-039	1
GASKET FLOAT CHAMBER (Ref # 26)	16019-009	1

1968 W1SS

PARTS LIST

CARBURETOR (W1/W1SS)

ITEM NAME	PART NUMBER	QUANTITY
SCREW FLOAT CHAMBER (Ref # 27)	16033-007	4
GUIDE AIR SHUTTER (Ref # 28)	16045-002	1