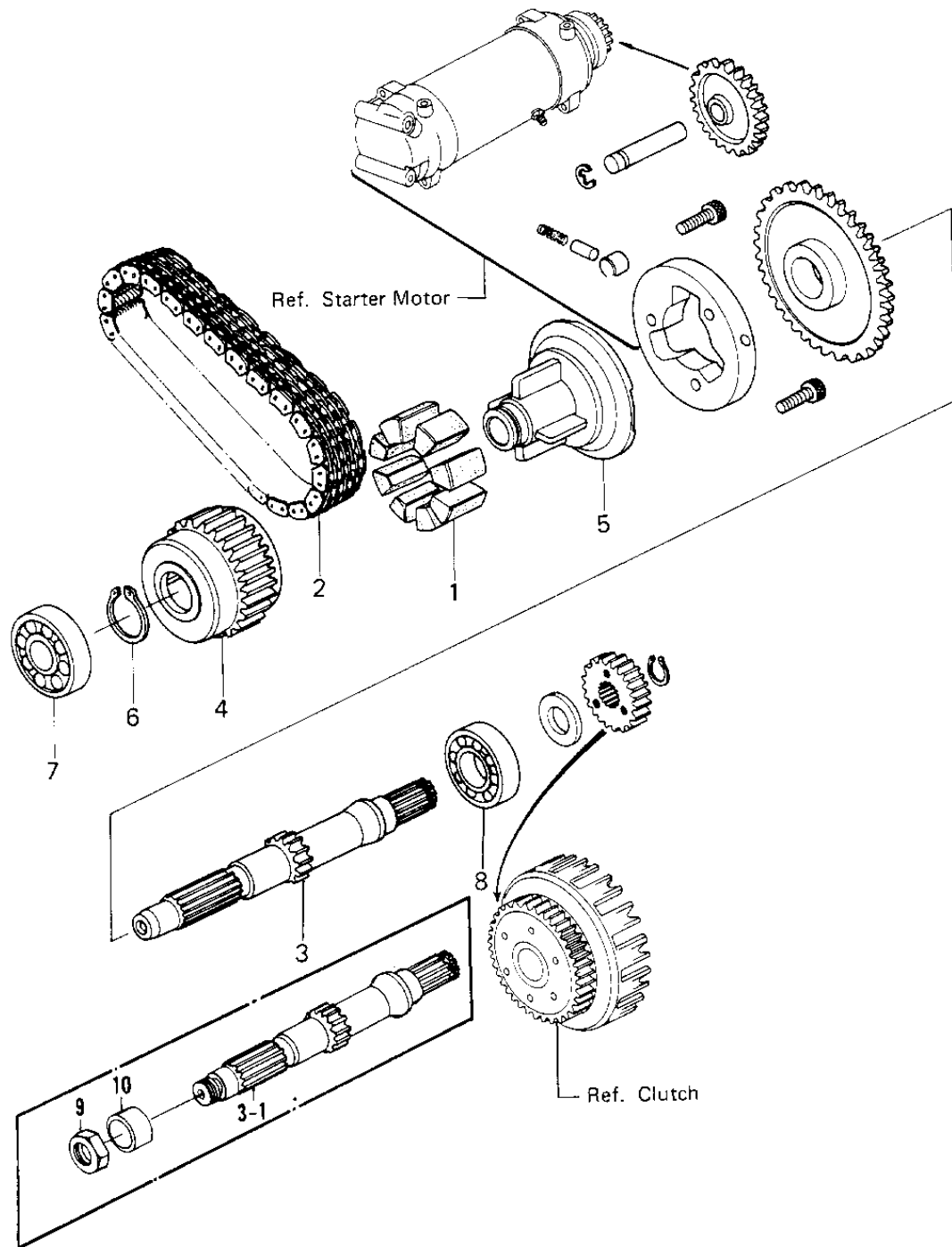


# 1980 LTD

## PARTS DIAGRAM

### SECONDARY SHAFT



# 1980 LTD

## PARTS LIST SECONDARY SHAFT

**ITEM NAME**

**PART NUMBER**

**QUANTITY**

---