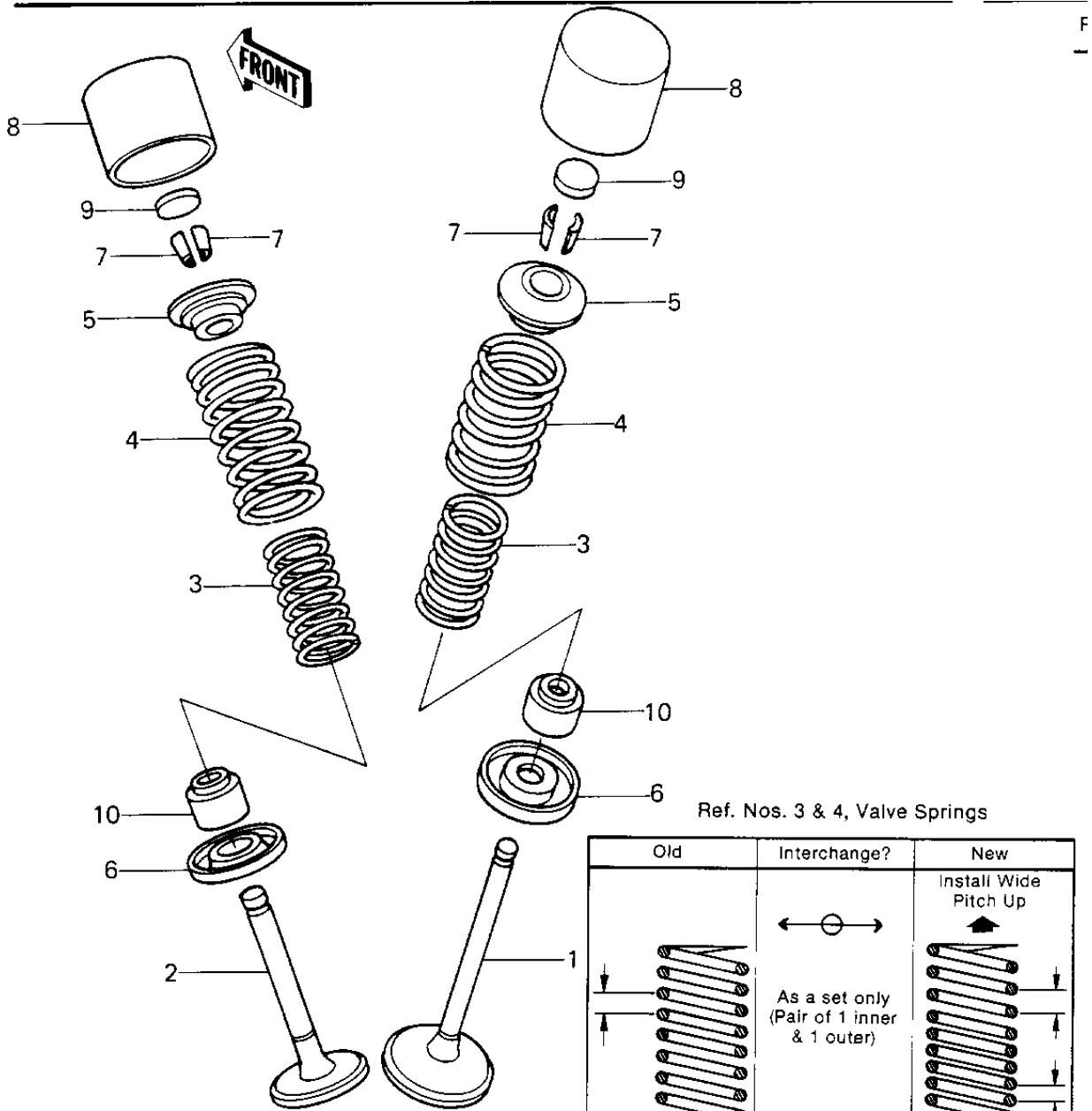


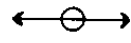
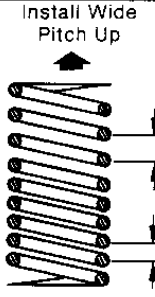
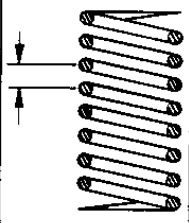
1980 LTD

PARTS DIAGRAM

VALVES



Ref. Nos. 3 & 4, Valve Springs

Identification	Old	Interchange?	New
Inner	12007-011	 As a set only (Pair of 1 inner & 1 outer)	Install Wide Pitch Up 
Outer	12007-012		
Remarks	Constant Pitch		Dual Pitch
E/No.	026001~029615		029616~032216

1980 LTD

PARTS LIST

VALVES

Kawasaki

Let the Good Times Roll®

ITEM NAME

PART NUMBER

QUANTITY
