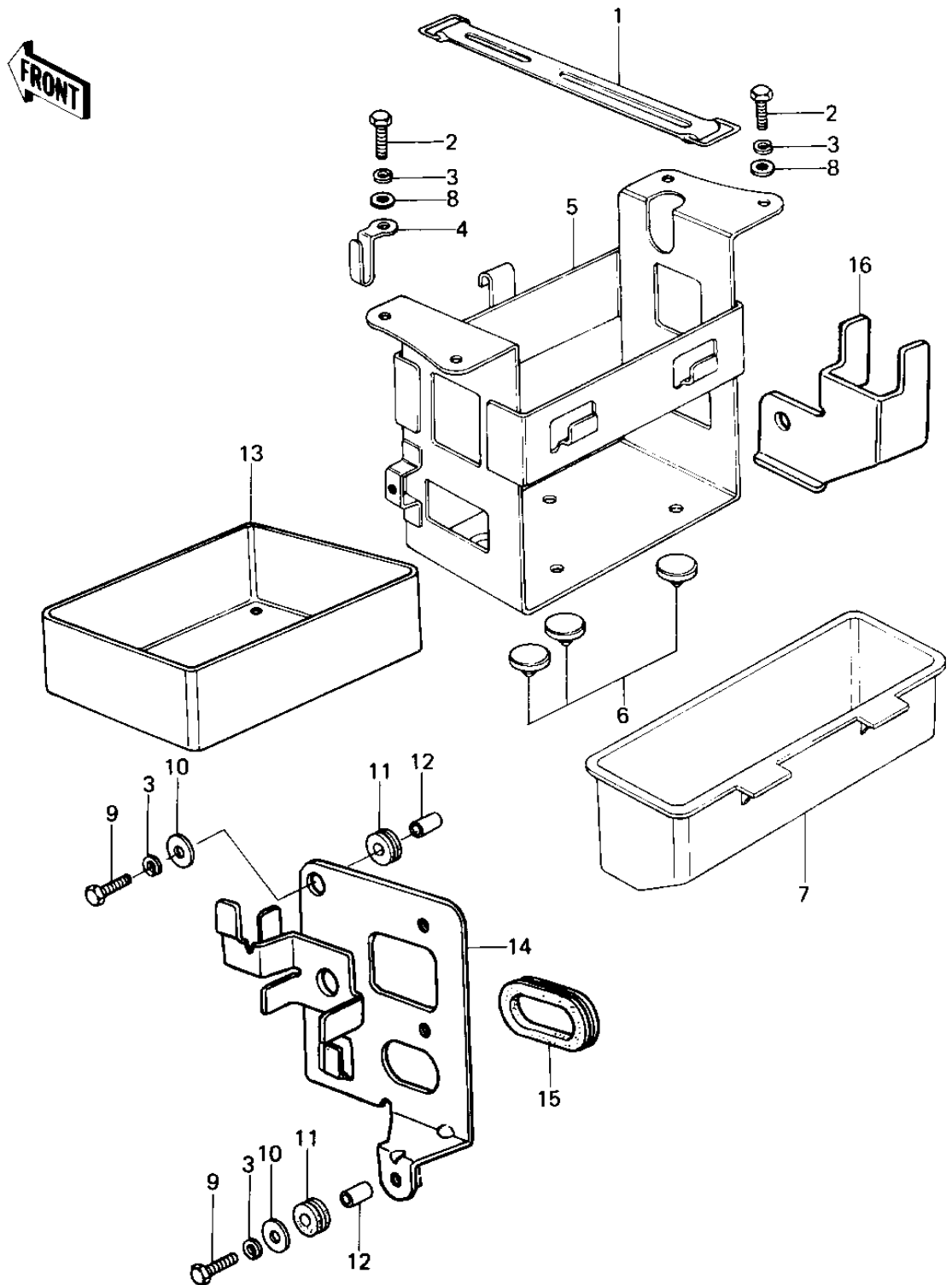


# 1979 SR

## PARTS DIAGRAM

### BATTERY CASE/TOOL CASE



# 1979 SR

## PARTS LIST

### BATTERY CASE/TOOL CASE

**ITEM NAME**

**PART NUMBER**

**QUANTITY**

---