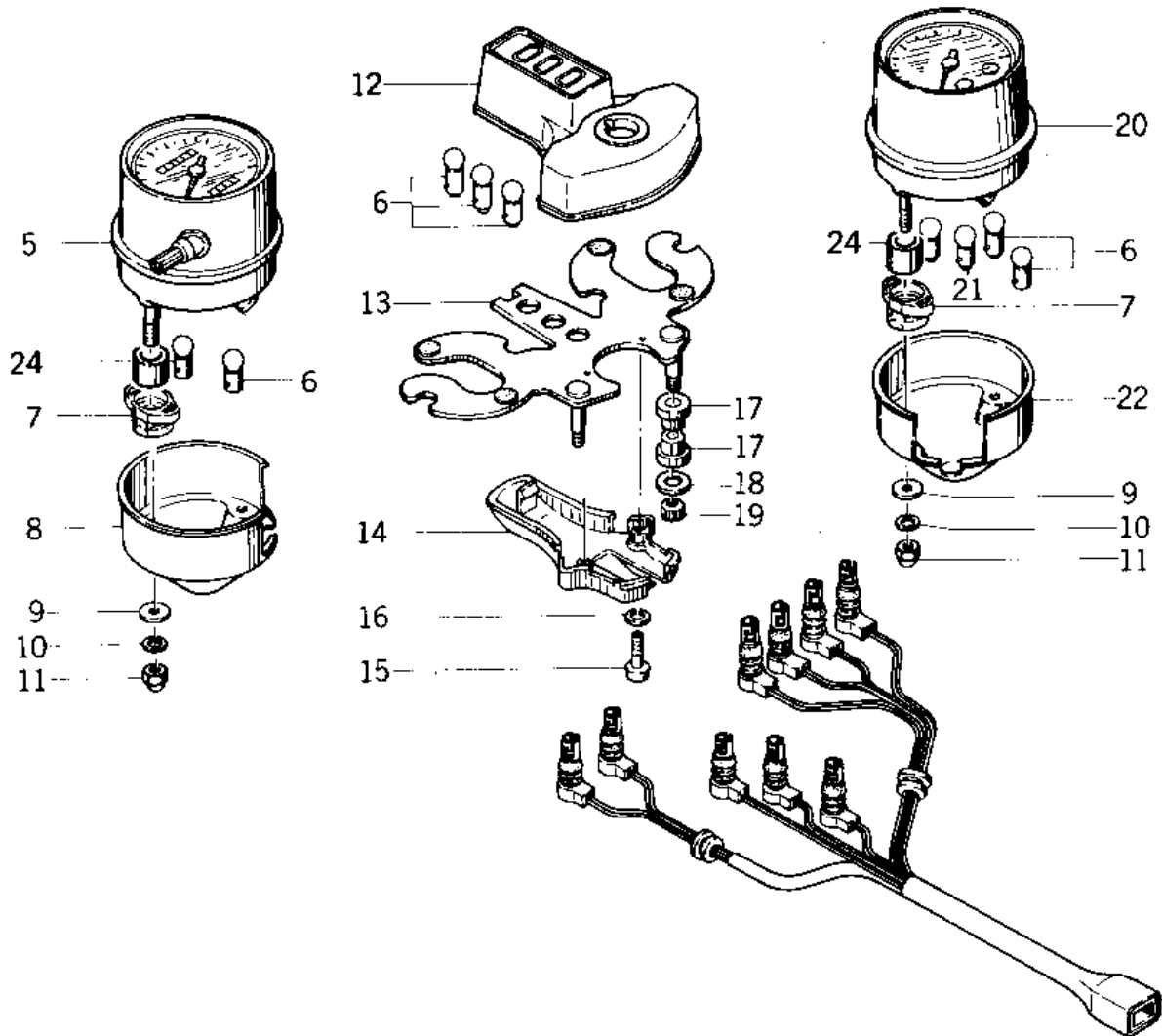
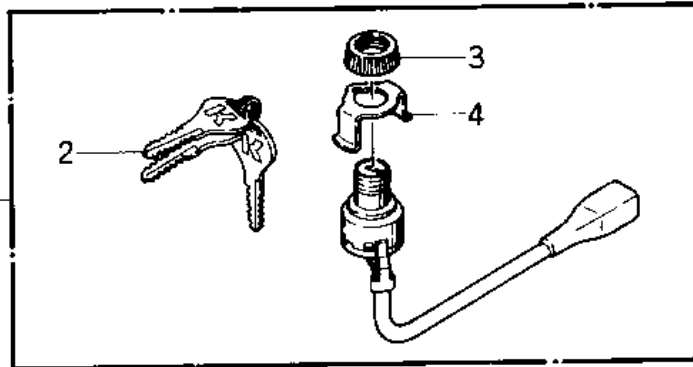


# 1975 Special

## PARTS DIAGRAM

### METERS/IGNITION SWITCH ('75 S)



# 1975 Special

## PARTS LIST

### METERS/IGNITION SWITCH ('75 S)

**ITEM NAME**

**PART NUMBER**

**QUANTITY**

---