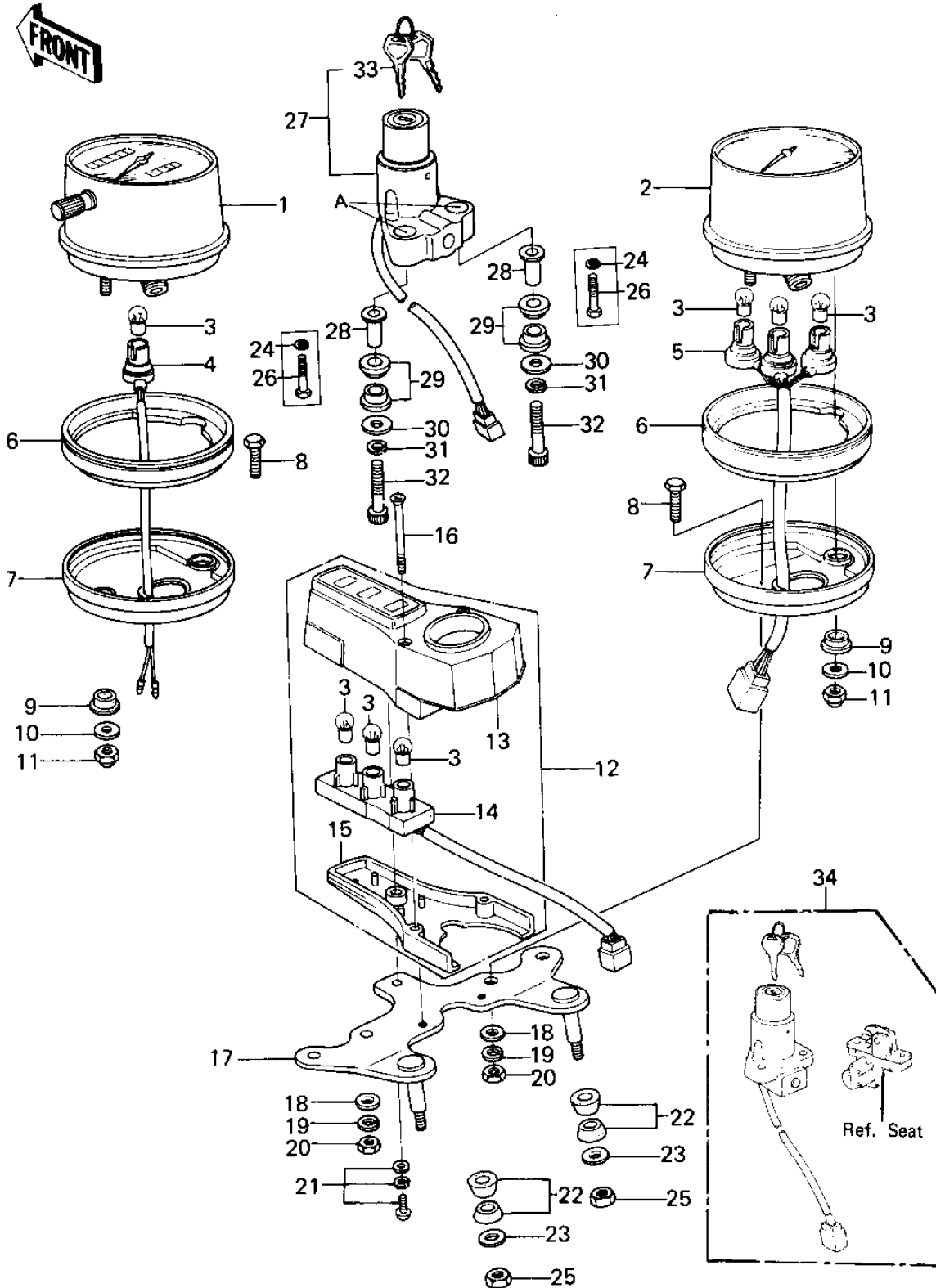


# 1978 KZ400-B1

## PARTS DIAGRAM

### METERS/IGNITION SWITCH (KZ400-B1)

Ref



# 1978 KZ400-B1

## PARTS LIST

### METERS/IGNITION SWITCH (KZ400-B1)

ITEM NAME	PART NUMBER	QUANTITY
SPEEDOMETER ASSY,MPH (Ref # 1)	25006-061	1
SPEEDOMETER,ASSY,KPH (Canada) (Ref # 1)	25005-1020	1
TACHOMETER ASSY (Ref # 2)	25015-1007	1
BULB 12V 3W (Ref # 3)	92069-018	7
SOCKET,SPEEDOMETER (Ref # 4)	23008-1006	1
SOCKET,TACHOMETER (Ref # 5)	23008-1004	1
SHOCK DAMPER (Ref # 6)	25019-031	2
COVER,METER (Ref # 7)	25012-025	2
BOLT,HEX HEAD,6X14 (Ref # 8)	92003-204	4
DAMPER RUBBER-METER (Ref # 9)	25019-013	4
WASHER PLAIN 5MM (Ref # 10)	411B0500	4
NUT,5MM (Ref # 11)	92015-059	4
LAMP ASSY,PILOT (Ref # 12)	23016-1012	1
COVER,PILOT LAMP (Ref # 13)	25023-1005	1
SOCKET,PILOT LAMP (Ref # 14)	23008-1023	1
COVER,METER BRACKET (Ref # 15)	25024-008	1
SCREW,PAN HEAD (Ref # 16)	92012-005	2
BRACKET,METER (Ref # 17)	25008-051	1
WASHER PLAIN 6MM (Ref # 18)	411B0600	4
WASHER SPRING 6MM (Ref # 19)	461F0600	4
NUT 6MM (Ref # 20)	311B0600	4
SCREW,PAN WSP 4X12 (Ref # 21)	92009-1015	1
DAMPER RUBBER,METER (Ref # 22)	92075-248	4
WASHER 6.5X22X1.6T (Ref # 23)	92022-237	2
WASHER SPRING 6MM (Ref # 24)	461F0600	2
NUT 6MM (Ref # 25)	311B0600	2
BOLT-UPSET,6X16 (Ref # 26)	112G0616	2
SWITCH ASSY,IGNITION (Ref # 27)	27005-1031	1
SWITCH ASSY,IGNITION (Ref # 27)	27005-1033	1

# 1978 KZ400-B1

## PARTS LIST

### METERS/IGNITION SWITCH (KZ400-B1)

ITEM NAME	PART NUMBER	QUANTITY
COLLAR,IG SWITCH (Ref # 28)	92027-1135	2
DAMPER,IG SWITCH (Ref # 29)	92075-1119	4
WASHER,8.5X20X1.6 (Ref # 30)	92022-1561	2
WASHER SPRING 8MM (Ref # 31)	461F0800	2
BOLT,ALLEN,8X45 (Ref # 32)	120P0845	2
UNAVAILABLE IN PRICE BOOK (Ref # 33)	27008-1008-01	AR
UNAVAILABLE IN PRICE BOOK (Ref # 33)	27008-1008-35	AR
KEY,BLANK (Ref # 33)	27008-1028	AR
KEY,BLANK (Ref # 33)	27008-1029	AR
KEY,BLANK (Ref # 33)	27008-1034	AR
KEY,BLANK (Ref # 33)	27008-1035	AR
LOCK SET,KZ400B2 (Ref # 34)	27004-5048	AR