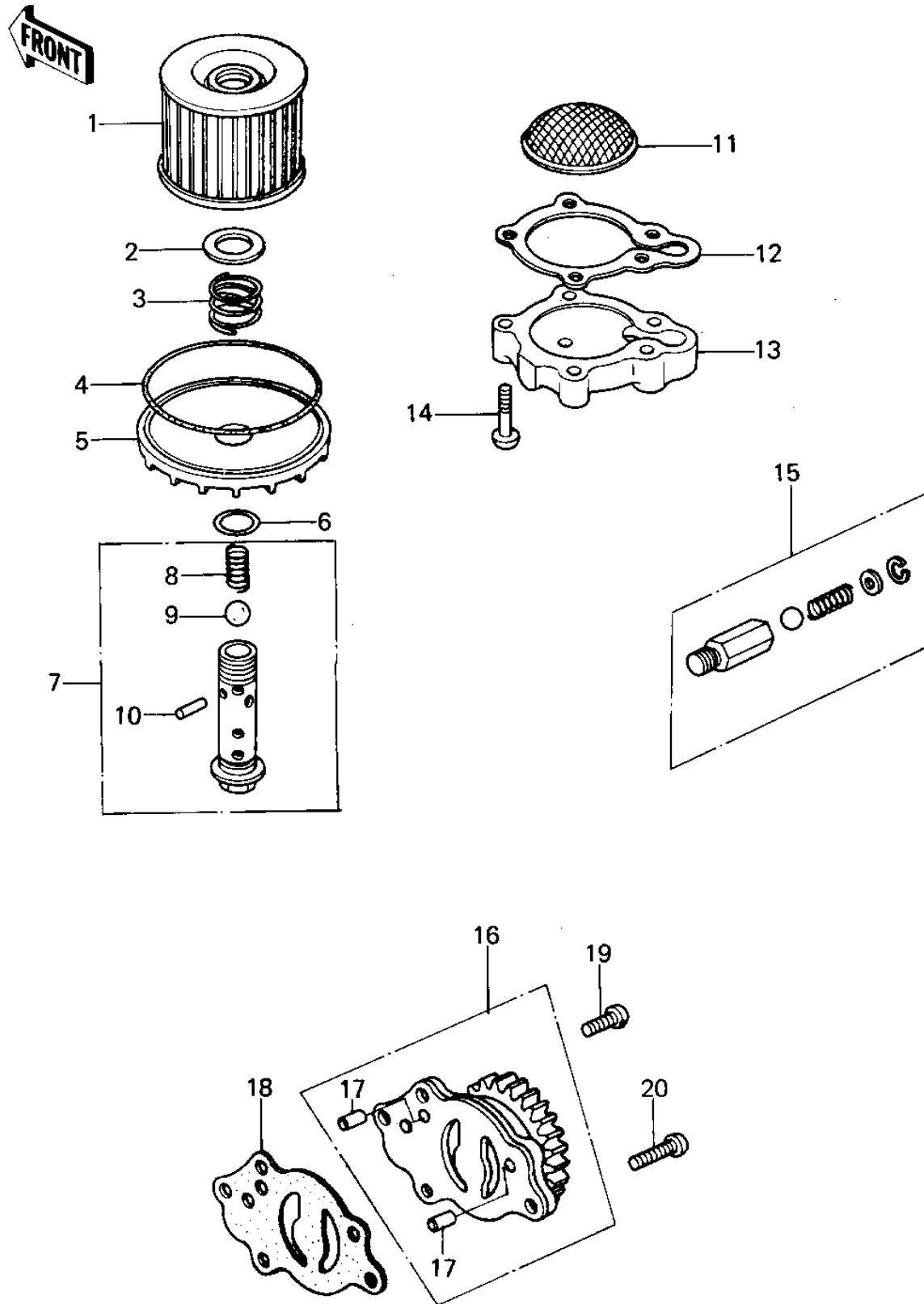


1978 KZ400-B1

PARTS DIAGRAM

OIL PUMP/OIL FILTER



1978 KZ400-B1

PARTS LIST

OIL PUMP/OIL FILTER

| ITEM NAME | PART NUMBER | QUANTITY |
|----------------------------------|-------------|----------|
| FILTER,OIL (Ref # 1) | 16099-003 | 1 |
| WASHER,20.5X30X1.0 (Ref # 2) | 92022-1012 | 1 |
| SPRING,OIL FILTER (Ref # 3) | 92081-1018 | 1 |
| "O" RING,90MM (Ref # 4) | 671B2590 | 1 |
| COVER,OIL FILTER (Ref # 5) | 16101-004 | 1 |
| "O" RING,16MM (Ref # 6) | 670B2016 | 1 |
| VALVE,OIL FILTER (Ref # 7) | 16126-1108 | 1 |
| SPRING (Ref # 8) | 92081-109 | 1 |
| BALL STEEL 3/8" (Ref # 9) | 600A1200 | 1 |
| SPRING PIN (Ref # 10) | 92043-111 | 1 |
| STRAINER,OIL (Ref # 11) | 16111-003 | 1 |
| GASKET,OIL FILTER COV (Ref # 12) | 11009-1874 | 1 |
| COVER,OIL STRAINER (Ref # 13) | 16101-003 | 1 |
| SCREW PAN HEAD 6X30 (Ref # 14) | 220B0630 | 5 |
| RELEASE VALVE ASSY (Ref # 15) | 16130-1001 | 1 |
| OIL PUMP ASSY (Ref # 16) | 16082-1001 | 1 |
| PIN,DOWEL,6X12 (Ref # 17) | 551A0612 | 2 |
| GASKET,OIL PUMP (Ref # 18) | 11009-1014 | 1 |
| SCREW PAN HEAD 6X10 (Ref # 19) | 220B0610 | 1 |
| SCREW PAN HEAD 6X25 (Ref # 20) | 220B0625 | 3 |