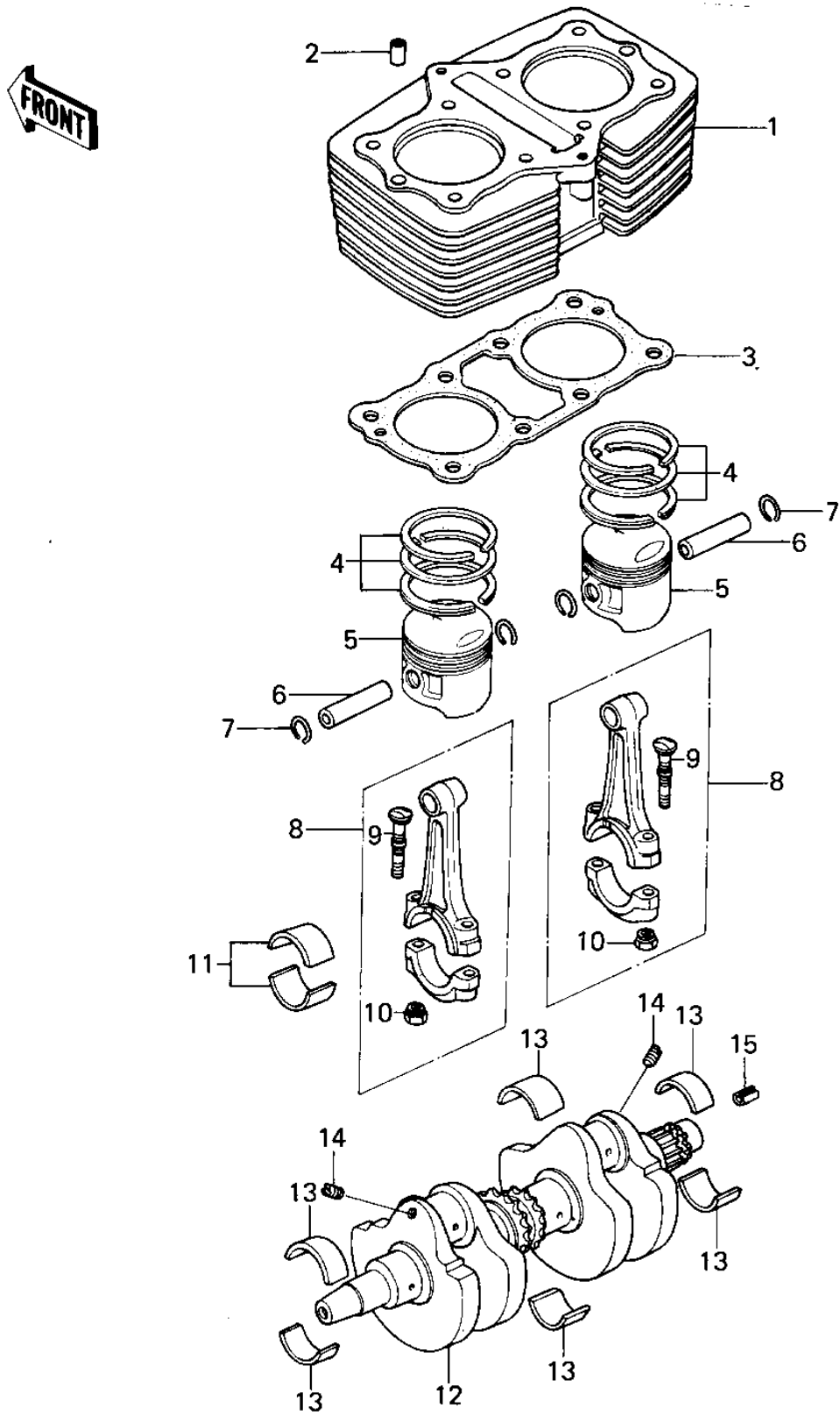


1978 KZ400-B1

PARTS DIAGRAM

CYLINDER/PISTONS/CRANKSHAFT



1978 KZ400-B1

PARTS LIST

CYLINDER/PISTONS/CRANKSHAFT

ITEM NAME	PART NUMBER	QUANTITY
CYLINDER (Ref # 1)	11005-1002	1
PIN,DOWEL,10X8.2X14 (Ref # 2)	92043-1037	2
GASKET,CYLINDER BASE (Ref # 3)	11009-1176	1
RING SET,PISTON,STD (Ref # 4)	13008-5019	2
RING SET,0.020",O.S. (Ref # 4)	13025-5010	(2
RING SET,0.040",O.S. (Ref # 4)	13024-5010	(2
PISTON,STD (Ref # 5)	13001-1001	2
PISTON,0.020",O/S (Ref # 5)	13029-1006	(2
PISTON,0.040",O/S (Ref # 5)	13027-1008	(2
PIN-PISTON (Ref # 6)	13002-1001	2
CIRCLIP PISTON PIN (Ref # 7)	92036-005	4
CONNECTING ROD ASSY,J (Ref # 8)	13251-1008-JJ	2
CONNECTING ROD ASSY,J (Ref # 8)	13251-1008-JJ	2
UNAVAILABLE IN PRICE BOOK (Ref # 8)	13251-1008-11	2
BOLT,CONNECTING ROD (Ref # 9)	92001-1793	4
NUT,CONNECTING ROD (Ref # 10)	92016-060	4
METAL,CONNECT ROD BRG (Ref # 11)	13034-050	4
METAL,CONNECT ROD BRG (Ref # 11)	13034-051	4
METAL,CONNECT ROD BRG (Ref # 11)	13034-052	4
CRANKSHAFT ASSY (Ref # 12)	13037-1034	1
BUSHING,CRANKSHAFT (Ref # 13)	92028-1102	8
SCREW,SLOTTED,6X8 (Ref # 14)	291H0608	2
PIN-SPRING,4X8 (Ref # 15)	555A0408	1