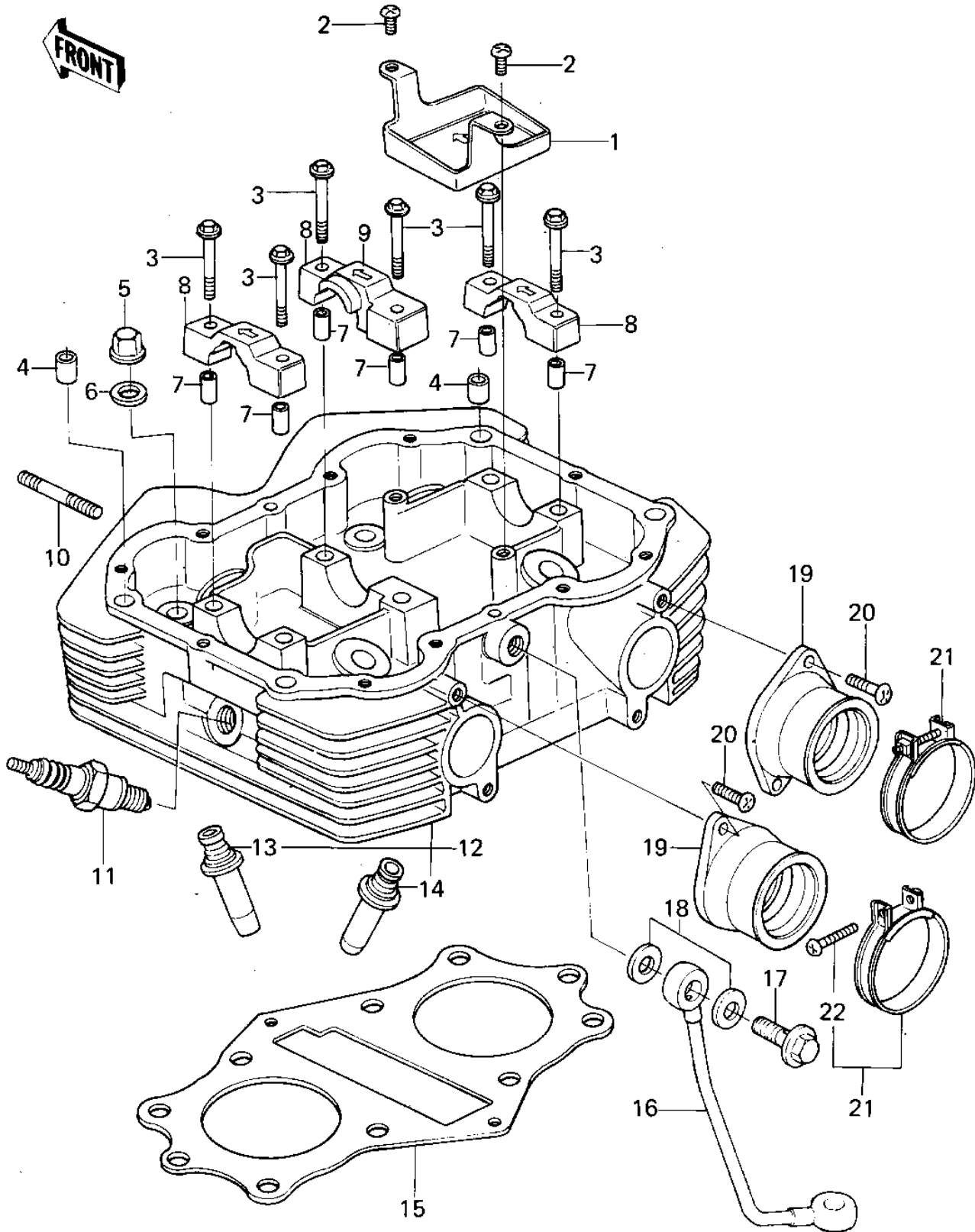


1978 KZ400-B1

PARTS DIAGRAM CYLINDER HEAD



1978 KZ400-B1

PARTS LIST CYLINDER HEAD

ITEM NAME	PART NUMBER	QUANTITY
CAP,CYLINDER HEAD OIL (Ref # 1)	11012-1027	1
SCREW PAN HEAD 6X10 (Ref # 2)	220B0610	2
BOLT,HEX HEAD,6X38 (Ref # 3)	92003-206	6
PIN,DOWEL,10X8.2X14 (Ref # 4)	92043-1037	2
NUT,CYLINDER HEAD (Ref # 5)	92015-076	8
WASHER,10.5X22X1.6 (Ref # 6)	92022-1005	8
PIN-DOWEL (Ref # 7)	92042-007	6
CAP,BRG,HEAD,L.H&R.H (Ref # 8)	14022-1002	2
CAP,BRG.HEAD,CENTER (Ref # 9)	14022-1003	1
STUD,6X46 (Ref # 10)	92004-049	4
SPARK PLUG B7ES (Ref # 11)	B7ES	2
CYLINDER HEAD (Ref # 12)	11002-1003	1
GUIDE,EXHAUST VALVE (Ref # 13)	49002-1010	2
GUIDE,INLET VALVE (Ref # 14)	12013-003	2
GASKET,CYLINDER HEAD (Ref # 15)	11004-1008	1
PIPE,OIL (Ref # 16)	32032-1084	1
BOLT,BANJO,10X25 (Ref # 17)	92001-1017	1
GASKET,10X14.5X1.5 (Ref # 18)	11009-1105	2
HOLDER,CARBURETOR (Ref # 19)	16065-1002	2
SCREW PAN HEAD 6X18 (Ref # 20)	220B0618	2
CLAMP,CARBURETOR (Ref # 21)	92037-1021	2
SCREW PAN HEAD 5X30 (Ref # 22)	220B0530	2
SHAFT,ROCKER (Ref # 1)	12020-1001	4
GASKET,16X19.7X1.5 (Ref # 2)	11009-1106	4
NUT,ROCKER ARM FITTNG (Ref # 3)	92016-061	4
SCREW,ADJUSTING (Ref # 4)	92009-1032	4
ARM,ROCKER (Ref # 5)	12016-1001	4
SPLIT KEEPER (Ref # 6)	12011-004	8
RETAINER,VALVE SPRING (Ref # 7)	12009-006	4

1978 KZ400-B1

PARTS LIST CYLINDER HEAD

ITEM NAME	PART NUMBER	QUANTITY
SPRING,OUTER VALVE (Ref # 8)	12007-013	4
SPRING,INNER VALVE (Ref # 9)	12007-014	4
OIL SEAL,RV37129.5 (Ref # 10)	92049-016	4
SEAT,VLV INNER SPRING (Ref # 11)	12010-006	4
SEAT,VLV OUTER SPRING (Ref # 12)	12010-005	4
VALVE,EXHAUST (Ref # 13)	12005-1001	2
VALVE,INTAKE (Ref # 14)	12004-1001	2