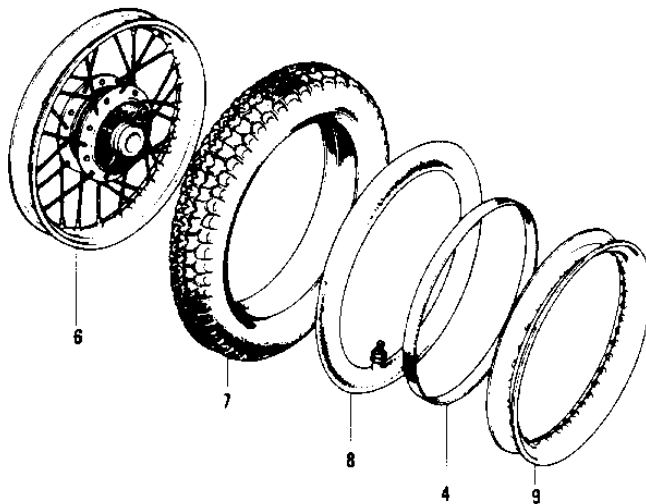
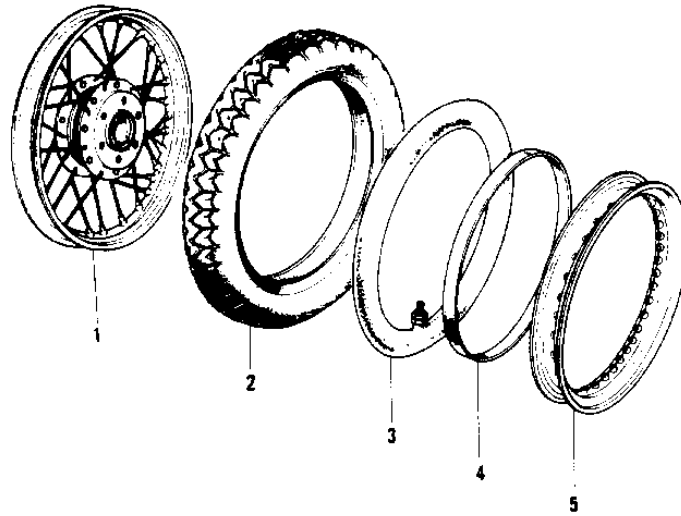
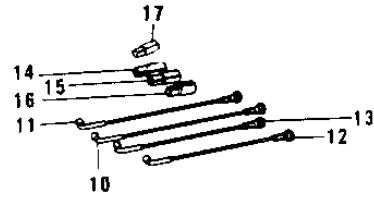


# 1975 Mach II

## PARTS DIAGRAM

### WHEELS/TIRES



# 1975 Mach II

## PARTS LIST WHEELS/TIRES

ITEM NAME	PART NUMBER	QUANTITY
-----------	-------------	----------

---