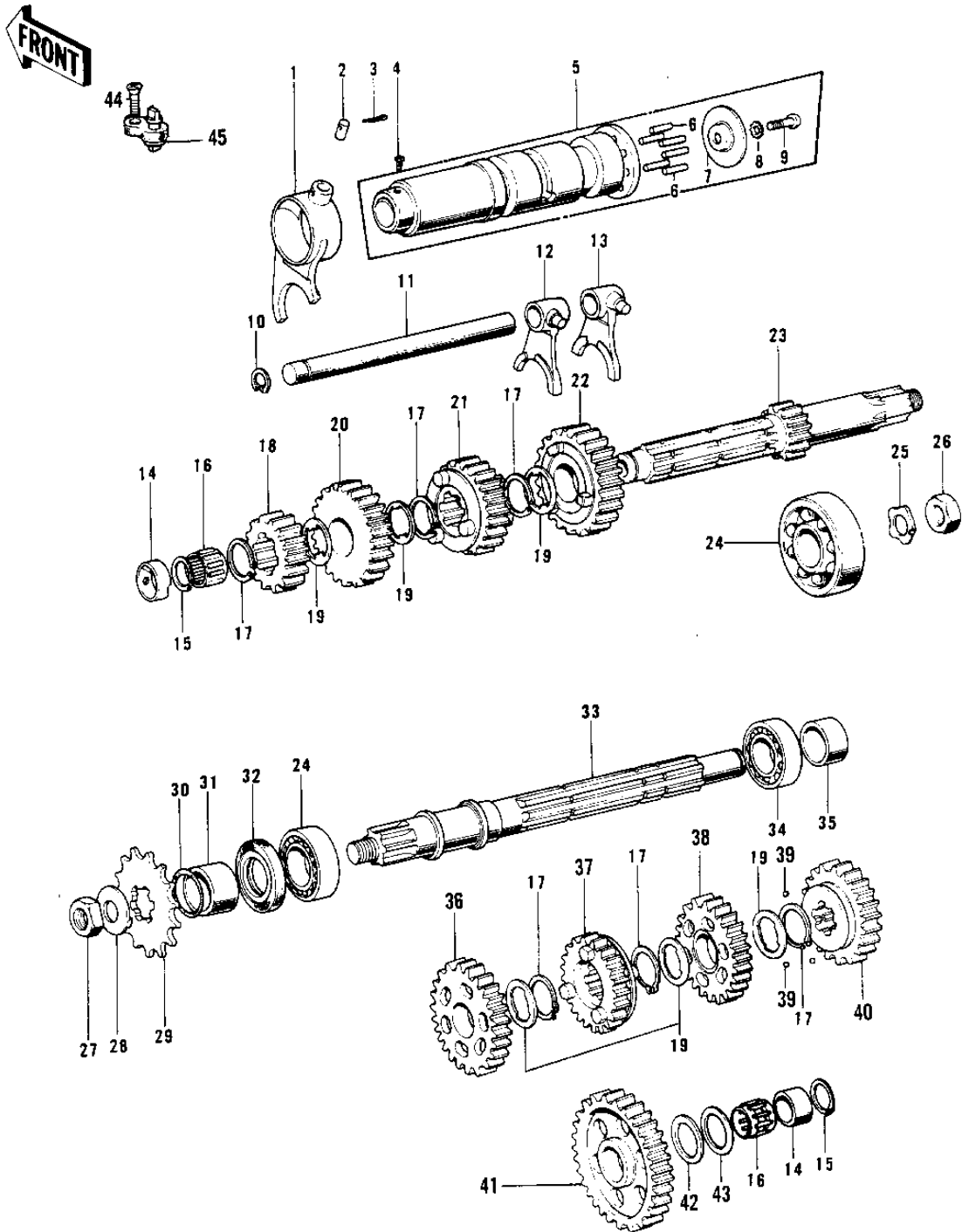


# 1975 Mach II

## PARTS DIAGRAM

### TRANSMISSION/CHANGE DRUM ('76-'78 A3/A4/



# 1975 Mach II

## PARTS LIST

TRANSMISSION/CHANGE DRUM ('76-'78 A3/A4/

**ITEM NAME**

**PART NUMBER**

**QUANTITY**

---