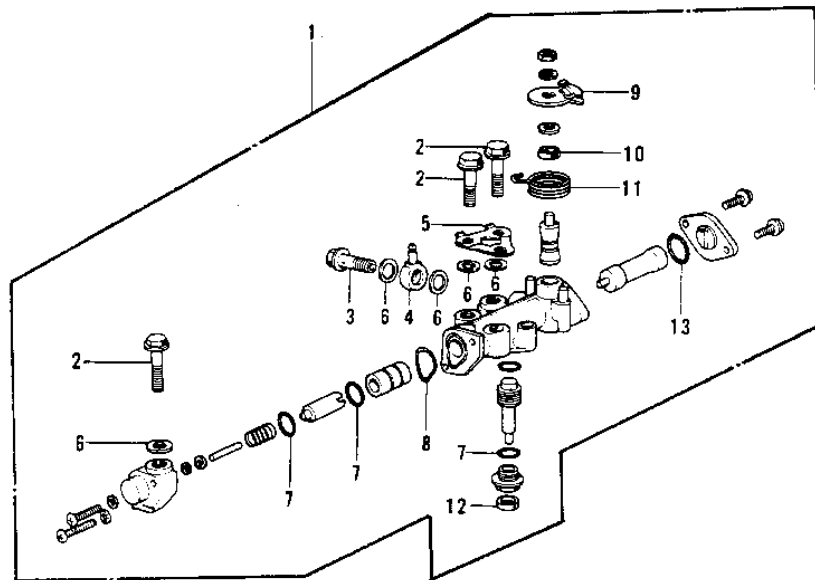
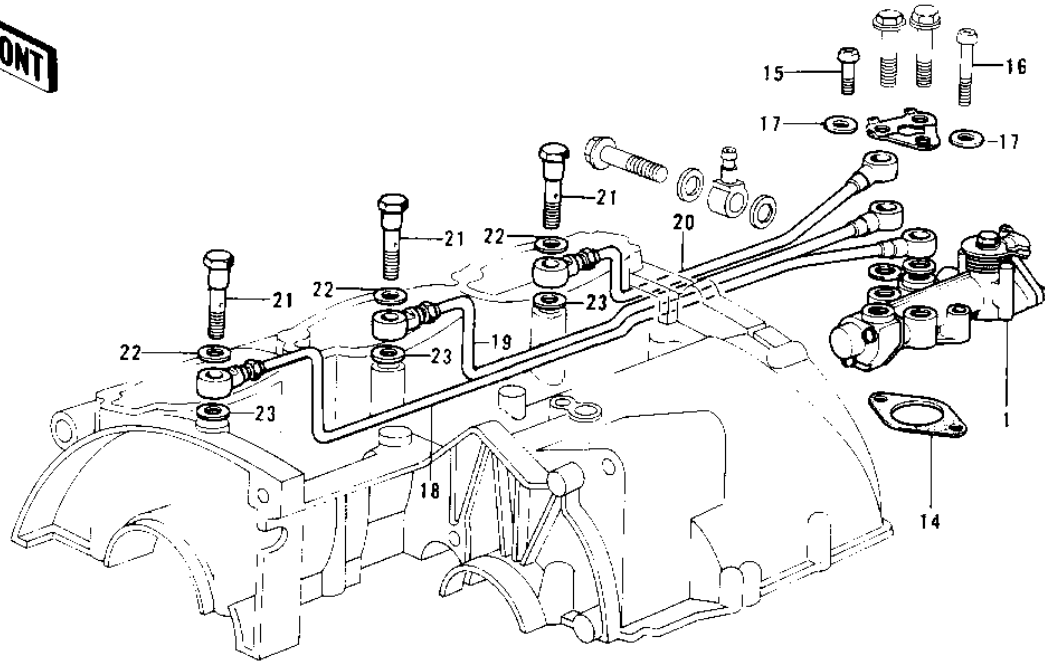


# 1975 Mach II

## PARTS DIAGRAM

### OIL PUMP ('74-'75 S3/S3-A)



# 1975 Mach II

## PARTS LIST

OIL PUMP ('74-'75 S3/S3-A)

**ITEM NAME**

**PART NUMBER**

**QUANTITY**

---