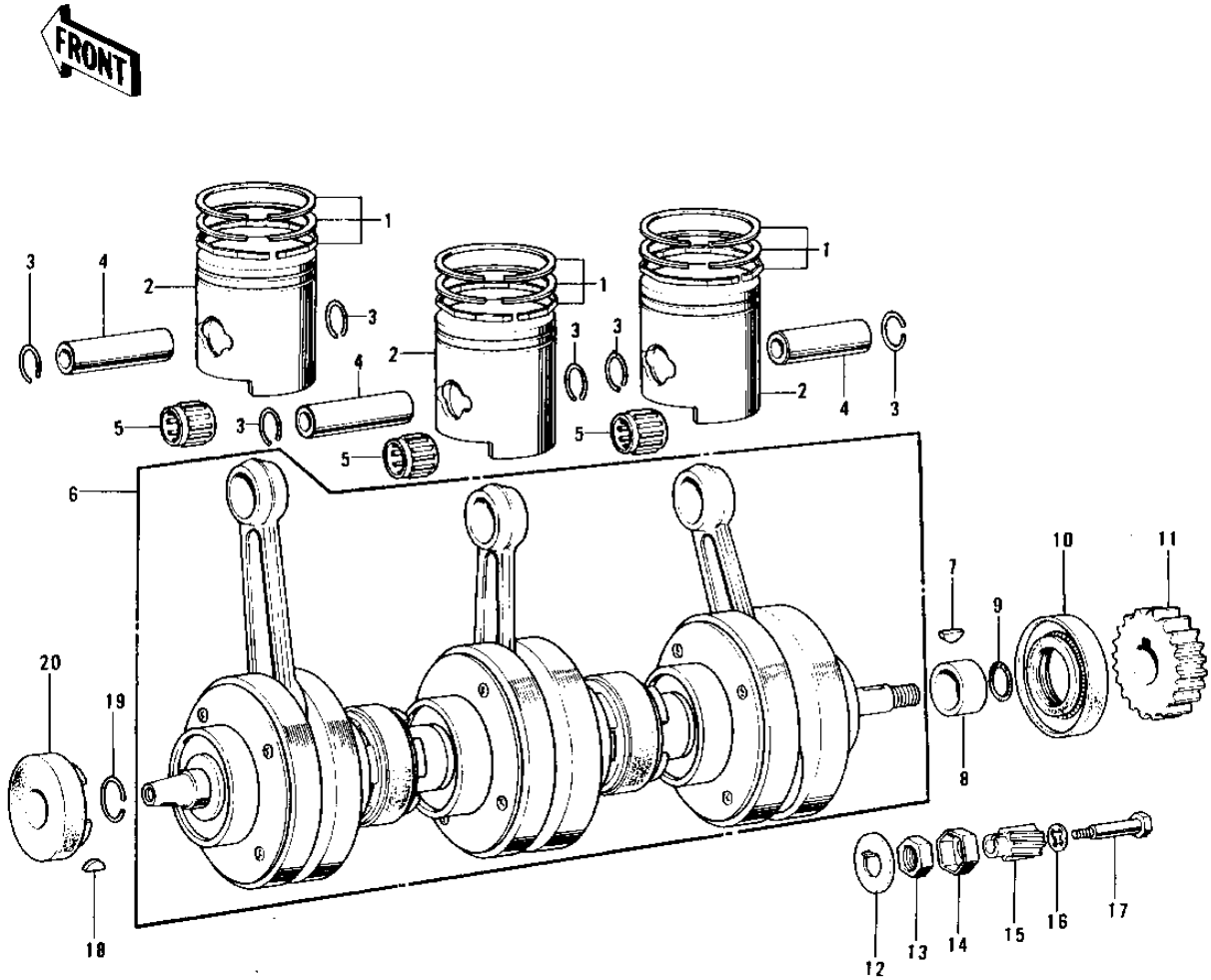


1975 Mach II

PARTS DIAGRAM

CRANKSHAFT/PISTONS ('74-'75 S3/S3-A)



1975 Mach II

PARTS LIST

CRANKSHAFT/PISTONS ('74-'75 S3/S3-A)

ITEM NAME	PART NUMBER	QUANTITY
RING SET,STD (Ref # 1)	13008-049	
RING SET,0.020" O.S (Ref # 1)	13025-053	
RING SET,0.040" O.S (Ref # 1)	13024-054	
PISTON,STD (Ref # 2)	13001-071	
PISTON,0.020" O.S (Ref # 2)	13029-062	
PISTON,0.040" O.S (Ref # 2)	13027-060	
CIRCLIP PISTON PIN (Ref # 3)	92036-005	
PIN-PISTON (Ref # 4)	13002-025	
NEEDLE BEARING SM END (Ref # 5)	13033-007	
CRANK CONROD ASSY (Ref # 6)	13031-1008	
WOODRUFF KEY (Ref # 7)	92038-015	
COLLAR CRANK OIL SEAL (Ref # 8)	92027-031	
"0" RING,22MM (Ref # 9)	92055-018	
OIL SEAL,TC326210 (Ref # 10)	92050-052	
GEAR,PRIMARY (Ref # 11)	13121-025	
WASHER,LOCK,18MM (Ref # 12)	92024-067	
NUT 18MM (Ref # 13)	92015-019	
WASHER LOCK (Ref # 14)	92024-021	
PINION-OIL PUMP (Ref # 15)	16084-014	
WASHER LOCK 6MM (Ref # 16)	463H0600	
BOLT-OIL PUMP GEAR (Ref # 17)	92003-068	
WOODRUFF KEY (Ref # 18)	92038-001	
CIRCLIP (Ref # 19)	92036-013	
OIL SEAL TCY256210 (Ref # 20)	92050-041	