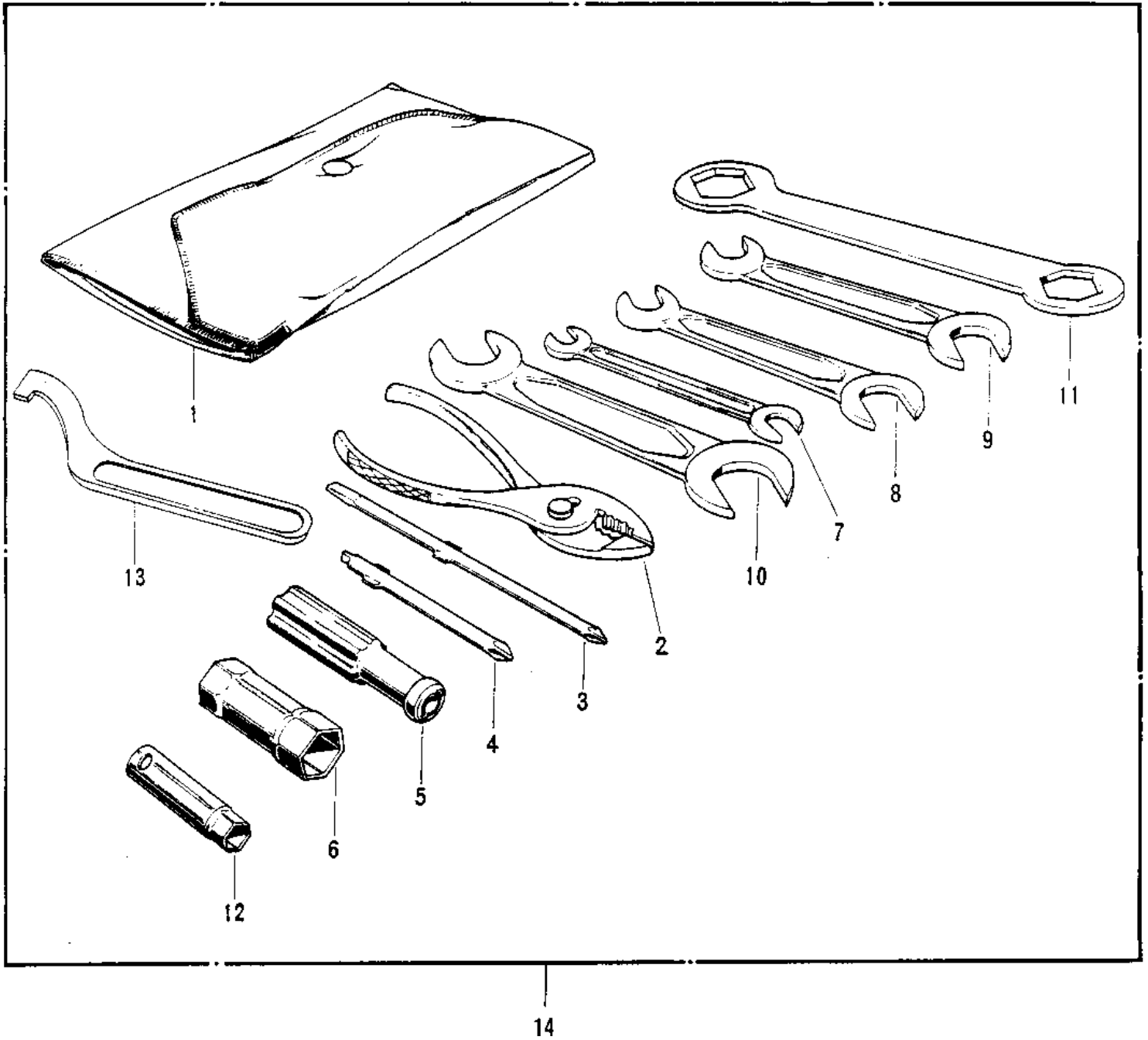


1973 Mach II

PARTS DIAGRAM

OWNER TOOLS



1973 Mach II

PARTS LIST OWNER TOOLS

ITEM NAME

PART NUMBER

QUANTITY
