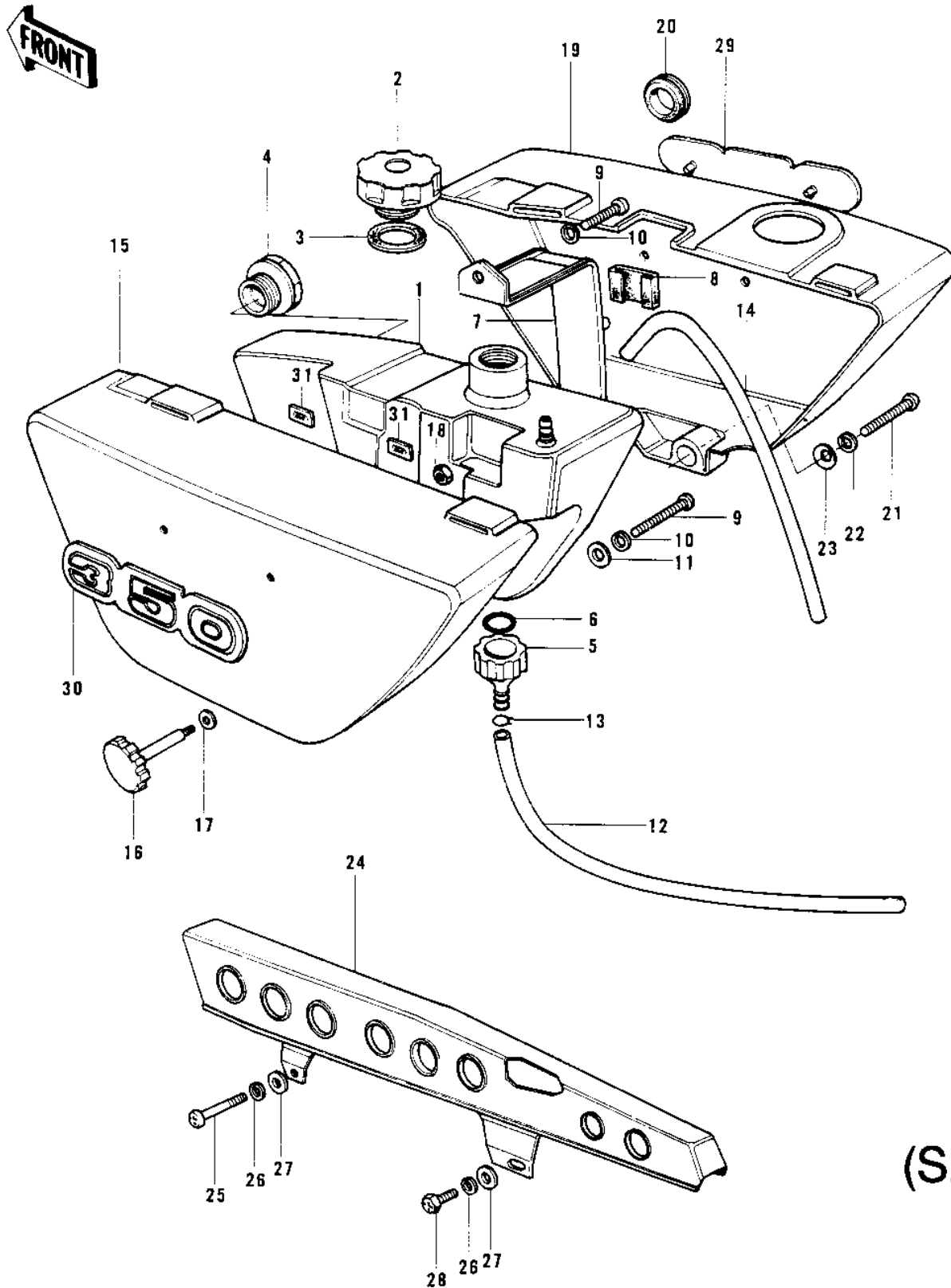


1973 Mach II

PARTS DIAGRAM

SIDE COVERS/OIL TANK/CHAIN COVER (S2-A)



(S2-A)

1973 Mach II

PARTS LIST

SIDE COVERS/OIL TANK/CHAIN COVER (S2-A)

ITEM NAME	PART NUMBER	QUANTITY
-----------	-------------	----------
