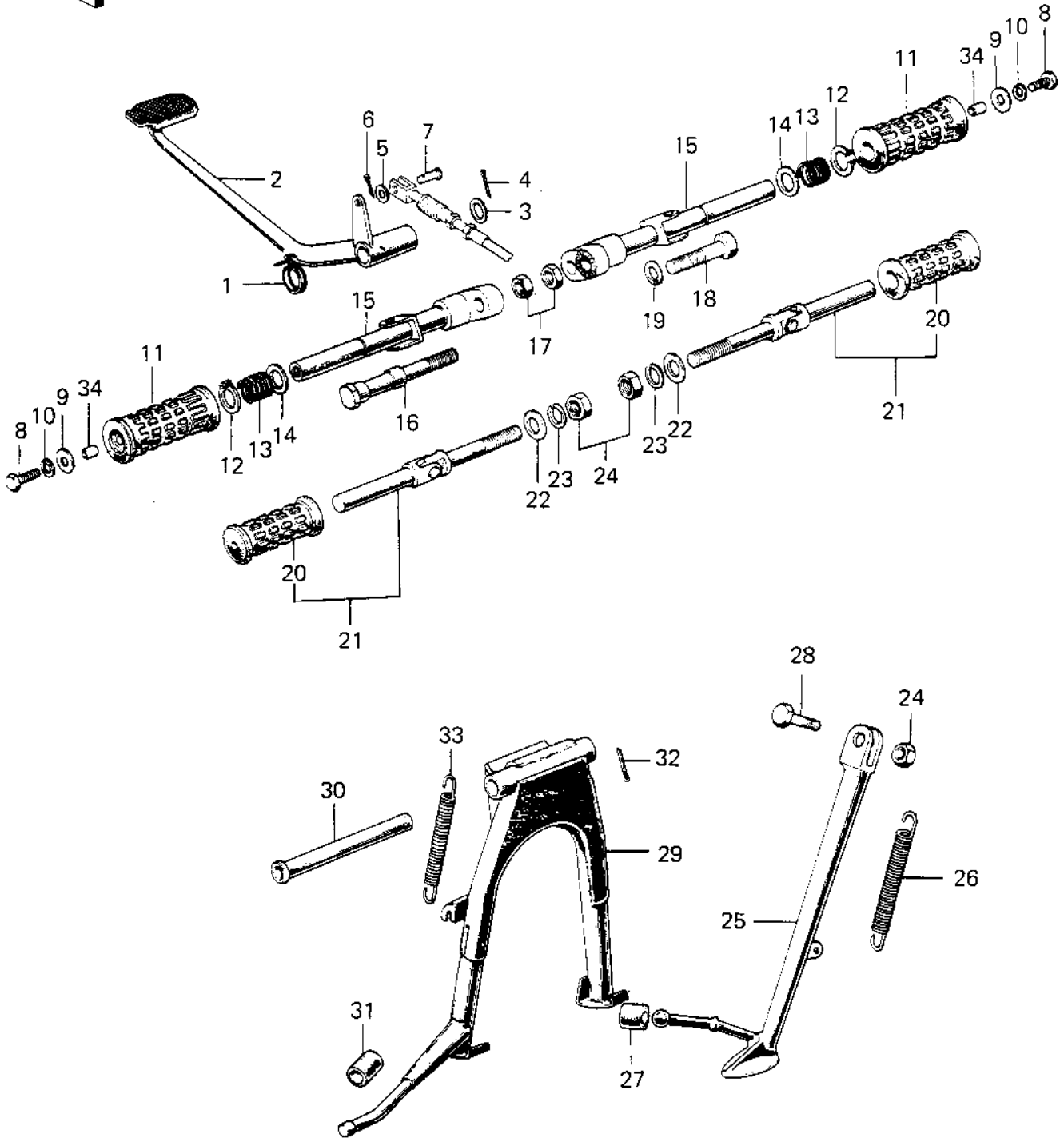


1973 Mach II

PARTS DIAGRAM

FOOTRESTS/STANDS/BRAKE PEDAL (S2)



(S2)

1973 Mach II

PARTS LIST

FOOTRESTS/STANDS/BRAKE PEDAL (S2)

ITEM NAME

PART NUMBER

QUANTITY
