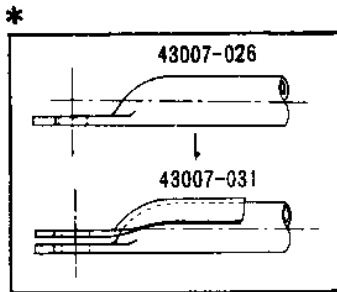
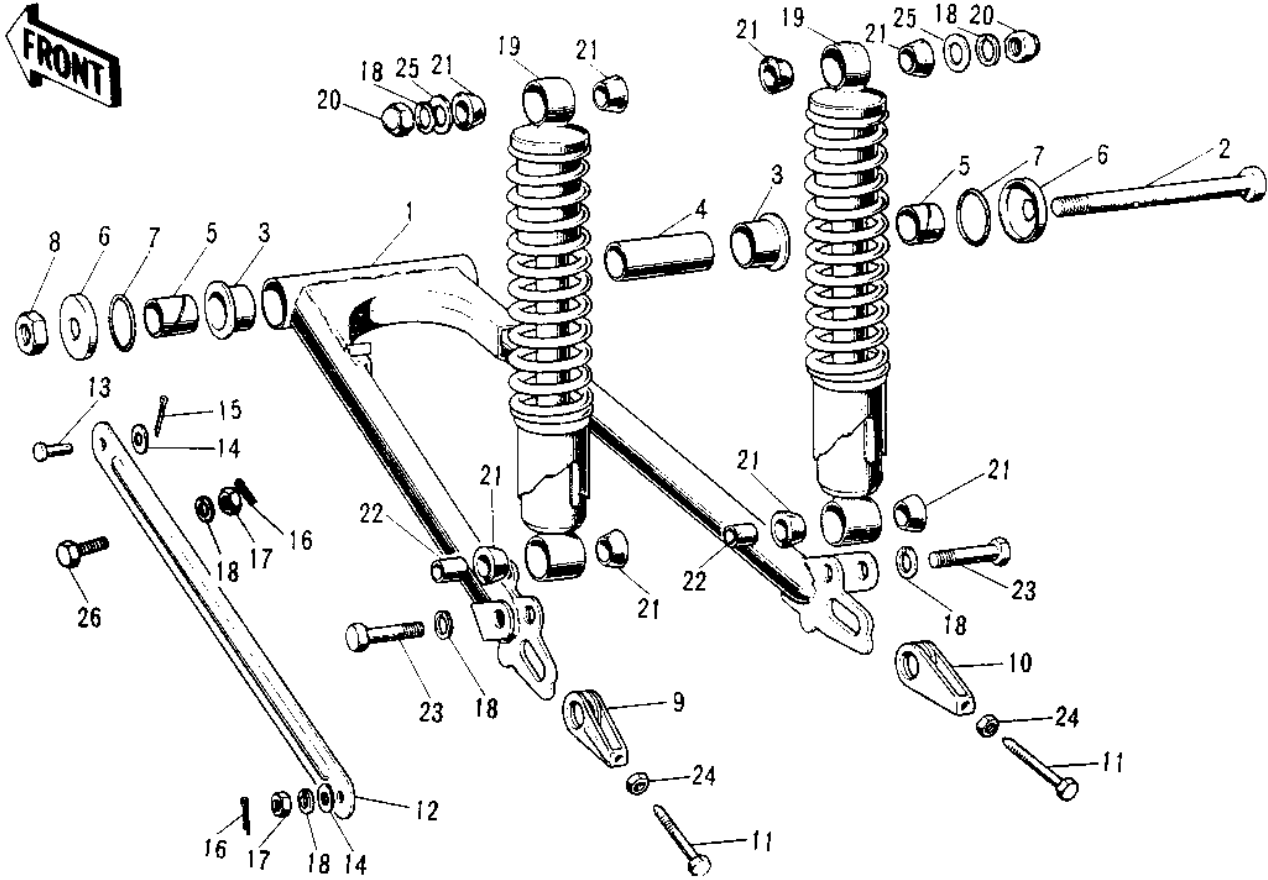


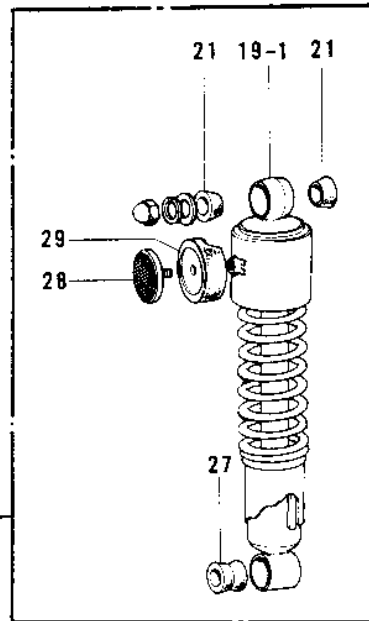
# 1973 Mach II

## PARTS DIAGRAM

### SWING ARM/SHOCK ABSORBERS



S2-A



# 1973 Mach II

## PARTS LIST

### SWING ARM/SHOCK ABSORBERS

**ITEM NAME**

**PART NUMBER**

**QUANTITY**

---