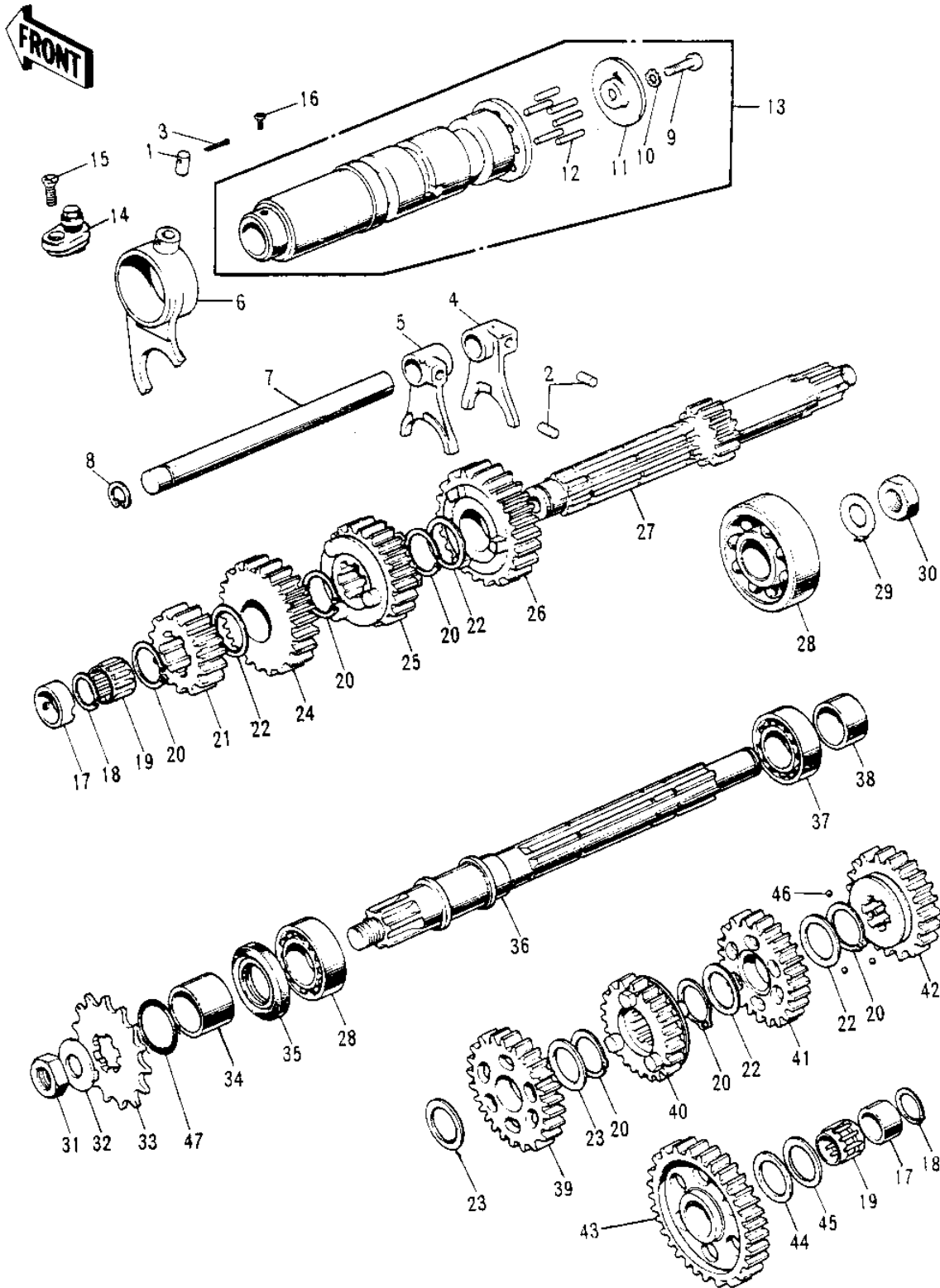


# 1973 Mach II

## PARTS DIAGRAM

### TRANSMISSION/CHANGE DRUM

Re \_\_\_\_\_



# 1973 Mach II

## PARTS LIST

### TRANSMISSION/CHANGE DRUM

**Kawasaki**

Let the Good Times Roll®

**ITEM NAME**

**PART NUMBER**

**QUANTITY**

---