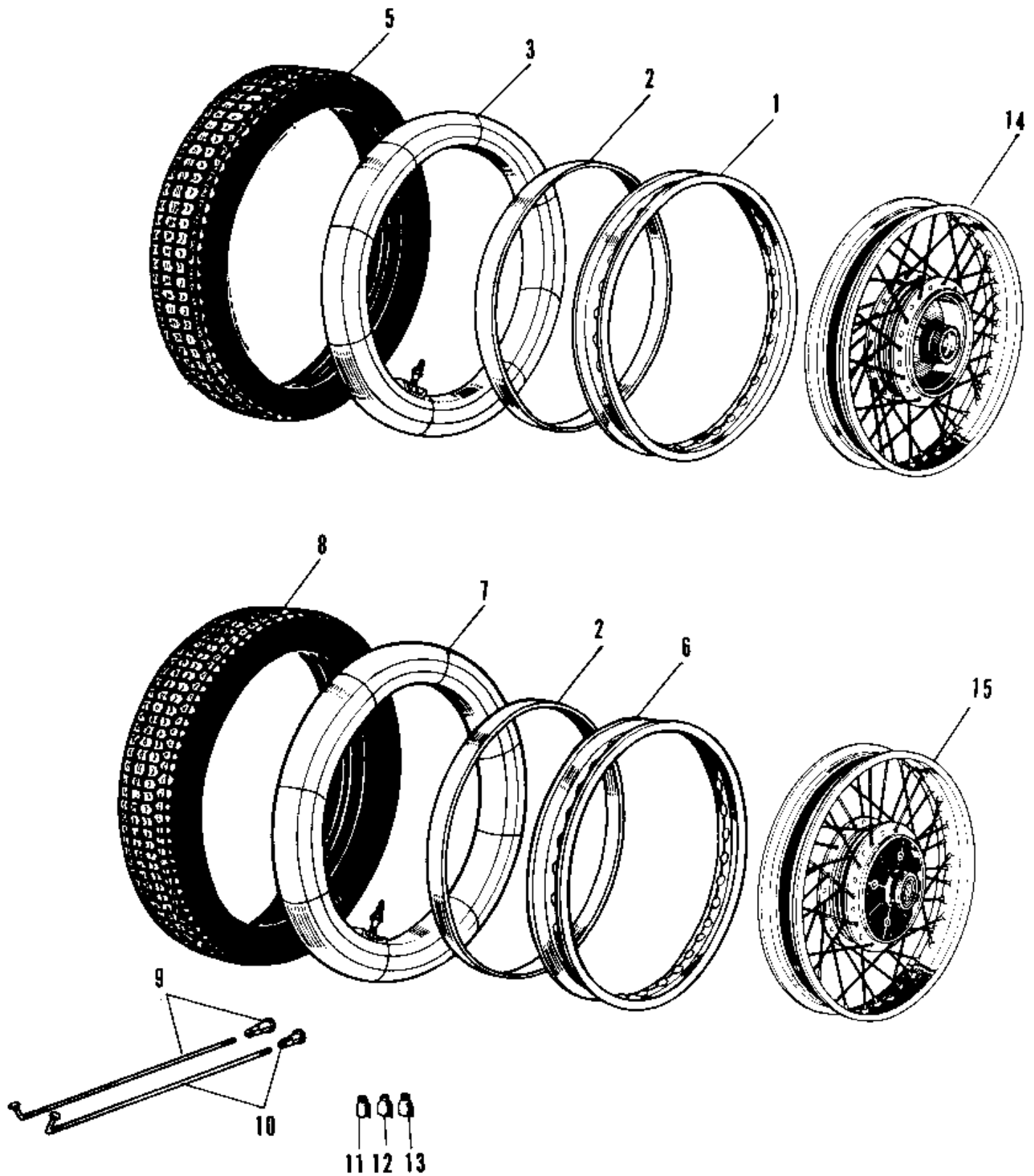


# 1966 Samurai

## PARTS DIAGRAM

### WHEELS/TIRES



# 1966 Samurai

## PARTS LIST WHEELS/TIRES

**ITEM NAME**

**PART NUMBER**

**QUANTITY**

---