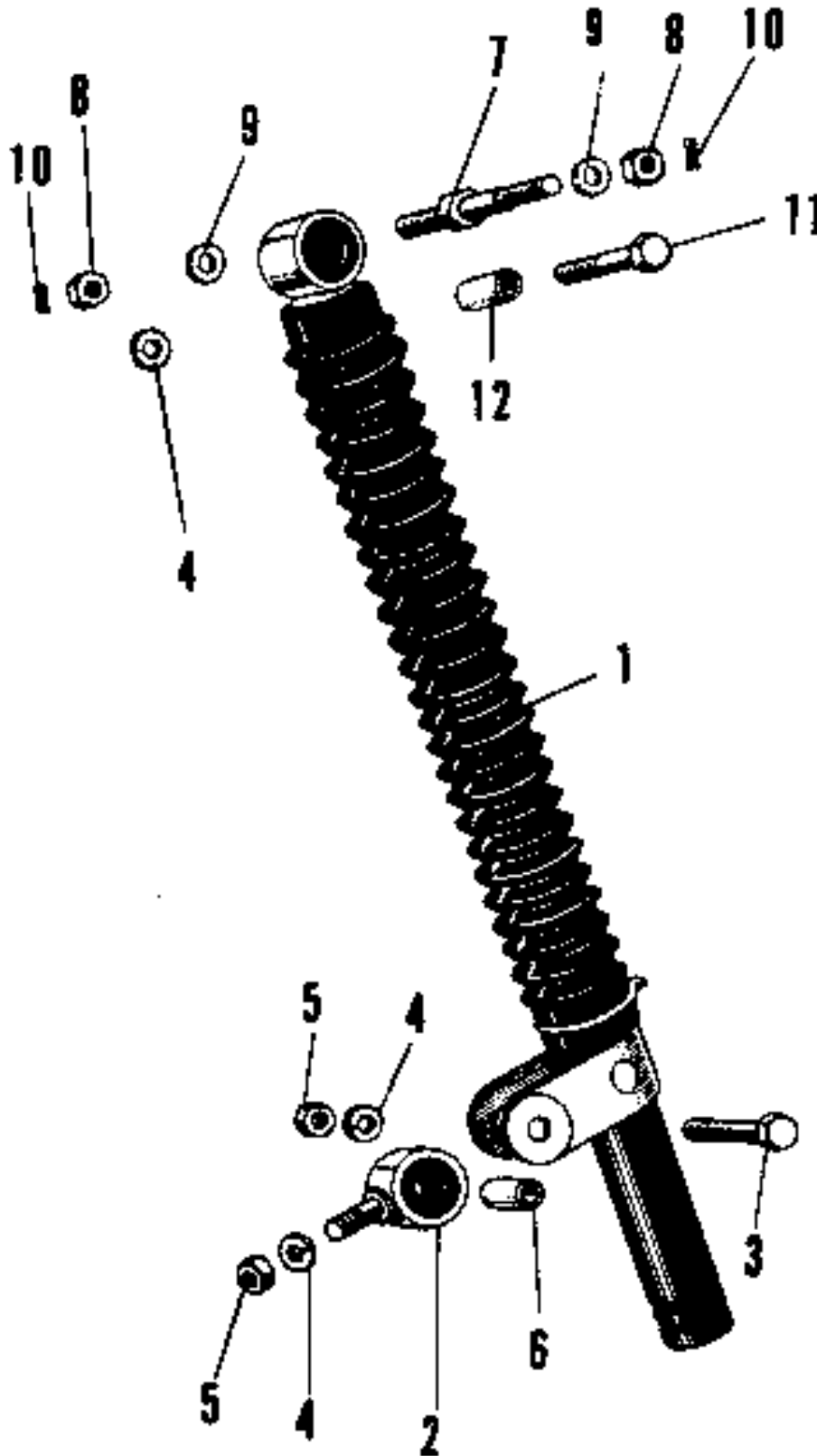


# 1966 Samurai

## PARTS DIAGRAM STEERING DAMPER



# 1966 Samurai

## PARTS LIST STEERING DAMPER

**ITEM NAME**

**PART NUMBER**

**QUANTITY**

---