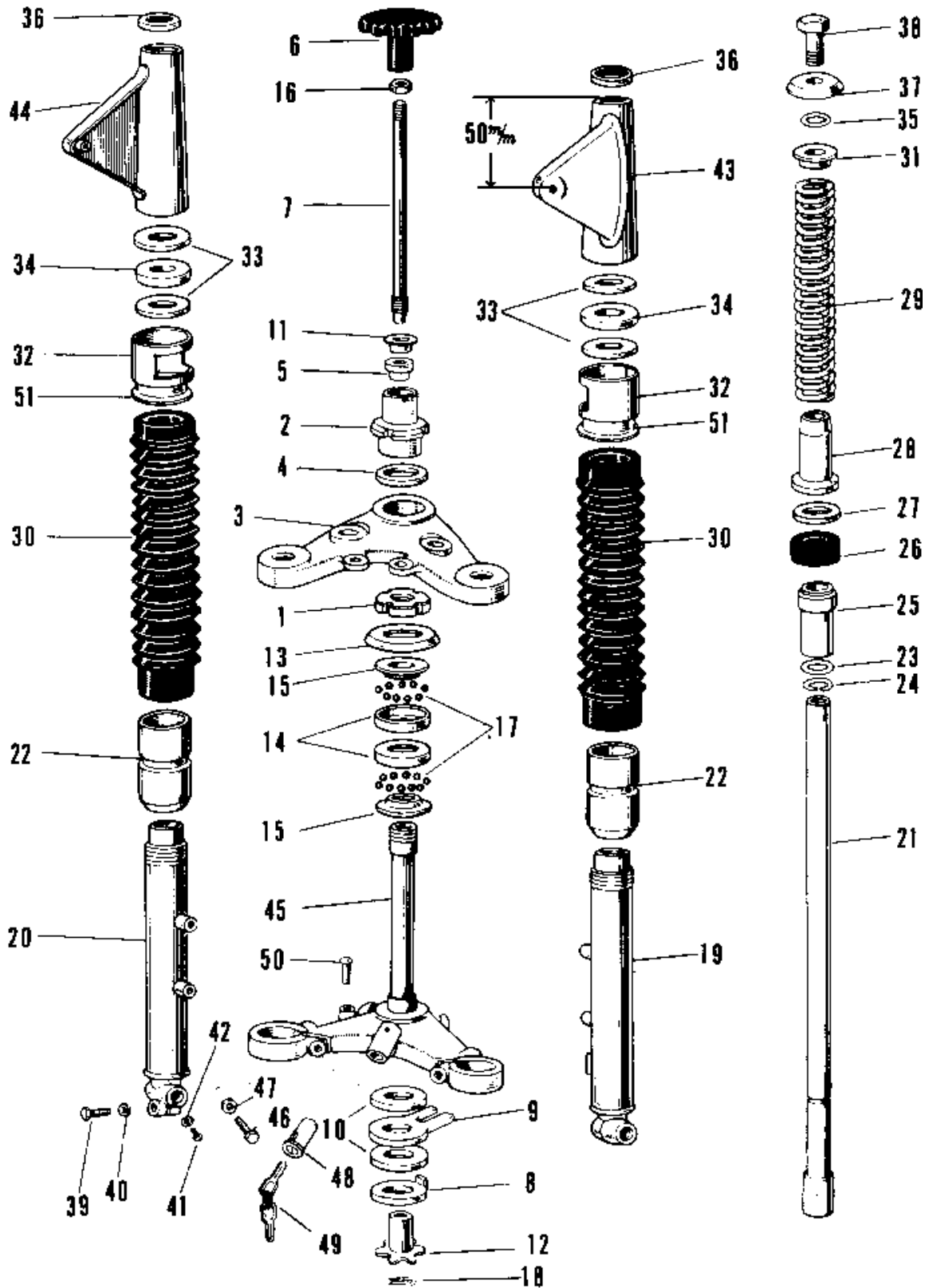


1968 Avenger SS

PARTS DIAGRAM

FRONT FORK A1-A7SS



1968 Avenger SS

PARTS LIST

FRONT FORK A1-A7SS

| ITEM NAME | PART NUMBER | QUANTITY |
|--|--------------|----------|
| NUT STEERING STEM LCK (Ref # 1) | 92090-007 | 1 |
| NUT STEERING STEM (Ref # 2) | 92090-014 | 1 |
| HEAD STEERING STEM (Ref # 3) | 44039-026 | 1 |
| WASHER STEERING STEM (Ref # 4) | 46100-001 | 1 |
| BUSH STRNG DAMPER ROD (Ref # 5) | 46103-001 | 1 |
| KNOB STEERING DAMPER (Ref # 6) | 46101-001 | 1 |
| ROD STEERING DAMPER (Ref # 7) | 46102-005 | 1 |
| DISC STTERING DAMPER (Ref # 8) | 46106-001 | 1 |
| STOPPER STEERING DAMP (Ref # 9) | 46105-001 | 1 |
| DISC STRNG DAMP FRCTN (Ref # 10) | 46104-001 | 2 |
| WASHER STRNG DAMP NUT (Ref # 11) | 46108-001 | 1 |
| SPRING FRICTION DISC (Ref # 12) | 46123-001 | 1 |
| CAP STEERING STEM (Ref # 13) | 46098-006 | 1 |
| RACE STRNG STEM BERNG (Ref # 14) | 92048-006 | 2 |
| CONE STRNG STEM BERNG (Ref # 15) | 92047-006 | 2 |
| NUT STEERING DAMP LCK (Ref # 16) | 92016-001 | 1 |
| BALL STEEL 1/4' (Ref # 17) | 600A0800 | 38 |
| PIN COTTER 2.0X15 (Ref # 18) | 550D2015 | 1 |
| UNAVAILABLE IN PRICE BOOK (Ref # 3, 19~) | 44001-034-10 | NA |
| TUBE,LH,FORK OUTER (Ref # 19) | 44005-013 | 1 |
| TUBE,RH,FORK OUTER (Ref # 20) | 44006-011 | 1 |
| TUBE FORK INNER (Ref # 21) | 44013-015 | 2 |
| NUT FORK OUTER TUBE (Ref # 22) | 44007-010 | 2 |
| 'O' RING OUTER TUBE (Ref # 23) | 44046-016 | 2 |
| CIRCLIP Z8MM (Ref # 24) | 481J2800 | 2 |
| GUIDE FORK INNER TUBE (Ref # 25) | 44015-006 | 2 |
| OIL SEAL FORK (Ref # 26) | 44009-005 | 2 |
| WASHER (Ref # 27) | 44043-020 | 2 |
| DUST SHIELD FORK (Ref # 28) | 44010-008 | 2 |

1968 Avenger SS

PARTS LIST

FRONT FORK A1-A7SS

| ITEM NAME | PART NUMBER | QUANTITY |
|--|--------------|----------|
| SPRING FORK (Ref # 29) | 44026-013 | 2 |
| COVER FORK DUST (Ref # 30) | 44027-006 | 2 |
| GUIDE FORK SPRING (Ref # 31) | 44028-009 | 2 |
| GUIDE FORK COVER (Ref # 32) | 44030-005 | 2 |
| WASHER FORK COVER (Ref # 33) | 44043-021 | 4 |
| GASKET FORK COVER (Ref # 34) | 44045-019 | 2 |
| 'O' RING FORK BOLT (Ref # 35) | 44046-006 | 2 |
| CAP FORK COVER (Ref # 36) | 44032-001 | 2 |
| WASHER FORK BOLT (Ref # 37) | 44043-029 | 2 |
| BOLT FORK FITTING (Ref # 38) | 44041-011 | 2 |
| BOLT-SMALL-UPSET,8X30 (Ref # 39) | 115G0830 | 1 |
| WASHER SPRING 8MM (Ref # 40) | 461F0800 | 1 |
| SCREW PAN HEAD 4X8 (Ref # 41) | 220B0408 | 2 |
| SCREW PAN HEAD 4X8 (Ref # 41) | 220B0408 | 2 |
| GASKET FORK DRAIN PLG (Ref # 42) | 44045-002 | 2 |
| COVER L.H FORK BLACK (Ref # 43) | 44033-020-10 | 1 |
| COVER R.H FORK BLACK (Ref # 44) | 44034-019-10 | 1 |
| STEM STEERING (Ref # 45) | 44037-015 | 1 |
| BOLT PINCH (Ref # 46) | 44041-010 | 2 |
| WASHER SPRING 10MM (Ref # 47) | 461F1000 | 2 |
| UNAVAILABLE IN PRICE BOOK (Ref # 48, 49) | 27017-011 | 1 |
| UNAVAILABLE IN PRICE BOOK (Ref # 49) | 27018-008 | 1 |
| UNAVAILABLE IN PRICE BOOK (Ref # 49) | 27018-008 | 1 |
| UNAVAILABLE IN PRICE BOOK (Ref # 49) | 27018-008 | 1 |
| UNAVAILABLE IN PRICE BOOK (Ref # 49) | 27018-008 | 1 |
| UNAVAILABLE IN PRICE BOOK (Ref # 49) | 27018-008 | 1 |
| UNAVAILABLE IN PRICE BOOK (Ref # 49) | 27008-027 | 1 |
| UNAVAILABLE IN PRICE BOOK (Ref # 49) | 27008-027 | 1 |
| UNAVAILABLE IN PRICE BOOK (Ref # 49) | 27008-027 | 1 |