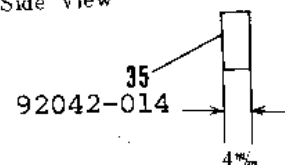
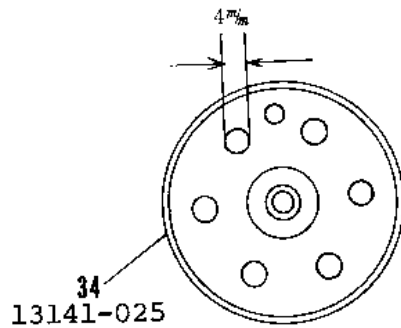
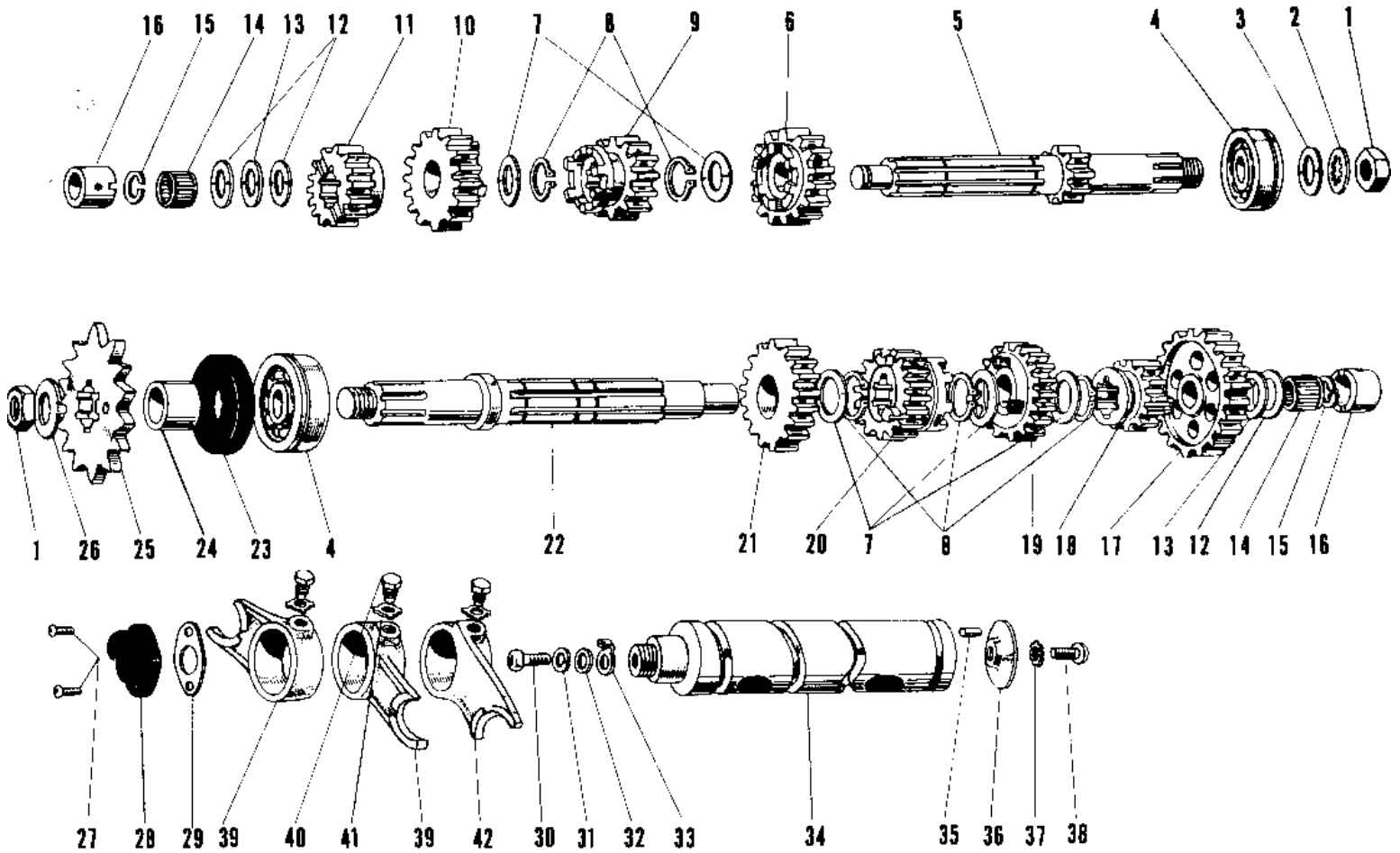


# 1970 A1SS-A

## PARTS DIAGRAM TRANSMISSION



# 1970 A1SS-A

## PARTS LIST TRANSMISSION

**ITEM NAME**

**PART NUMBER**

**QUANTITY**

---