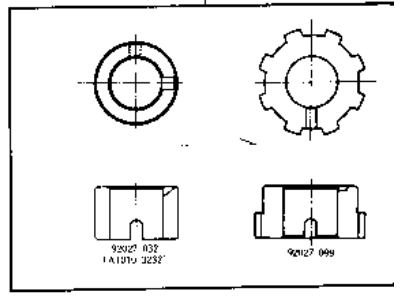
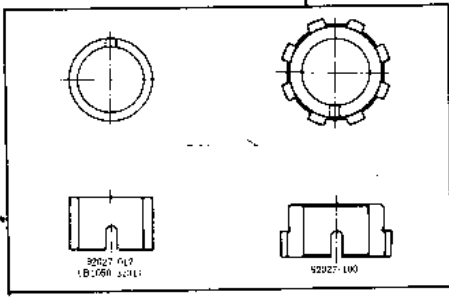
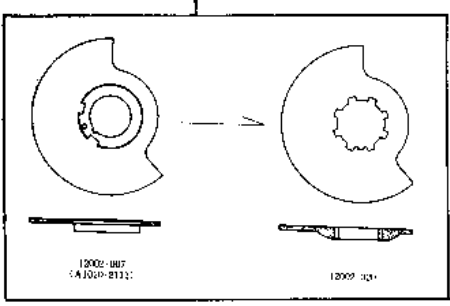
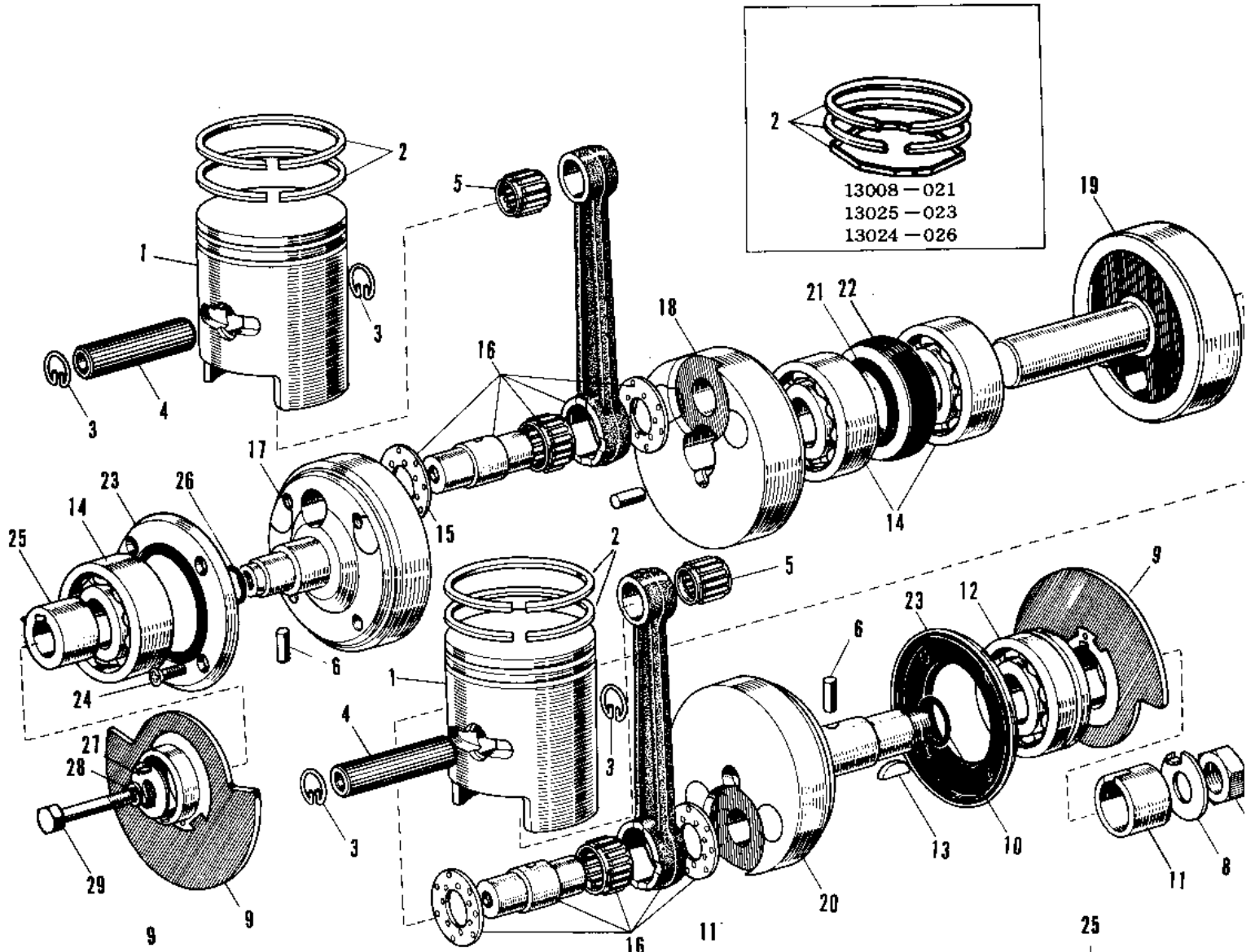


# 1967 Avenger SS

## PARTS DIAGRAM

### CRANKSHAFT/PISTONS A7/A7SS



# 1967 Avenger SS

## PARTS LIST

### CRANKSHAFT/PISTONS A7/A7SS

| ITEM NAME                          | PART NUMBER | QUANTITY |
|------------------------------------|-------------|----------|
| PISTON STD (Ref # 1)               | 13001-027   | 2        |
| RING SET STD (Ref # 2)             | 13008-021   | 2        |
| CIRCLIP PISTON PIN (Ref # 3)       | 92036-004   | 4        |
| PIN-PISTON (Ref # 4)               | 13002-010   | 2        |
| BEARING-NEEDLE (Ref # 5)           | 92046-1038  | 2        |
| PIN DOWEL 4X12 (Ref # 6)           | 610A0412    | 2        |
| NUT 18MM (Ref # 7)                 | 92015-019   | 1        |
| WASHER,LOCK,18MM (Ref # 8)         | 92024-067   | 1        |
| VALVE ROTARY DISC (Ref # 9)        | 12002-007   | 2        |
| VALVE-ROTARY DISC (Ref # 9)        | 12002-020   | 2        |
| "0" RING,22MM (Ref # 10)           | 92055-018   | 1        |
| COLLAR CRANKSHAFT (Ref # 11)       | 92027-017   | 1        |
| COLLAR-R.H CRNK SHT (Ref # 11)     | 92027-100   | 1        |
| BALL BEARING 6305N (Ref # 12)      | 92045-020   | 1        |
| WOODRUFF KEY (Ref # 13)            | 510A5100    | 1        |
| CRANK - CONROD ASSY (Ref # 12, 14) | 13036-021   | 1        |
| BEARING BALL #6305 (Ref # 14)      | 601B6305    | 3        |
| WASHER SIDE (Ref # 15)             | 92026-024   | 4        |
| CONNECTING ROD SET (Ref # 16)      | 13044-007   | 2        |
| CRANKSHAFT L.H (Ref # 17)          | 13037-031   | 1        |
| CRANK WEB CENTER (Ref # 18)        | 13040-001   | 1        |
| CRANKSHAFT CENTER (Ref # 19)       | 13039-001   | 1        |
| CRANKSHAFT R.H (Ref # 20)          | 13038-027   | 1        |
| COLLAR CRANK OIL SEAL (Ref # 21)   | 92027-031   | 1        |
| OIL SEAL CRANKSHAFT (Ref # 22)     | 92056-001   | 1        |
| OIL RECIEVER CRANKSHT (Ref # 23)   | 13045-002   | 2        |
| SCREW CNTRSNK HD 5X10 (Ref # 24)   | 92012-001   | 8        |
| SCREW OVL CNTSNK 5X10 (Ref # 24)   | 92012-002   | 8        |
| COLLER L.H CRANK SHT (Ref # 25)    | 92027-032   | 1        |

# 1967 Avenger SS

## PARTS LIST

### CRANKSHAFT/PISTONS A7/A7SS

| ITEM NAME                      | PART NUMBER | QUANTITY |
|--------------------------------|-------------|----------|
| COLLAR-L.H CRNK SHT (Ref # 25) | 92027-099   | 1        |
| "0" RING,16MM (Ref # 26)       | 670B2016    | 1        |
| WASHER LOCK 8MM (Ref # 27)     | 92024-007   | 1        |
| WASHER SPRING 8MM (Ref # 28)   | 461F0800    | 1        |
| BOLT HEX HEAD 8X35 (Ref # 29)  | 92001-030   | 1        |