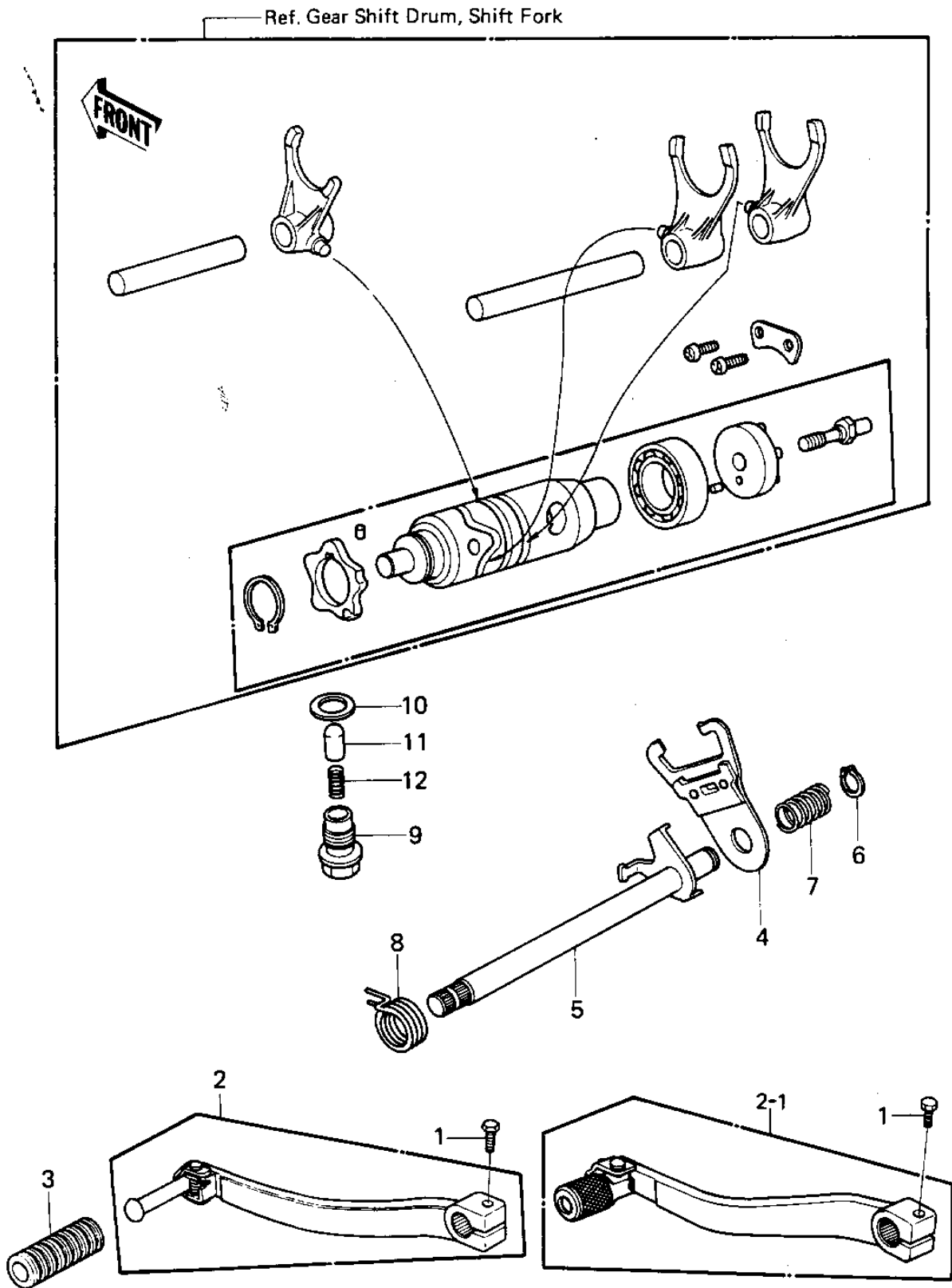


1980 KLX250

PARTS DIAGRAM

GEAR CHANGE MECHANISM



1980 KLX250

PARTS LIST

GEAR CHANGE MECHANISM

Kawasaki

Let the Good Times Roll®

ITEM NAME

PART NUMBER

QUANTITY
