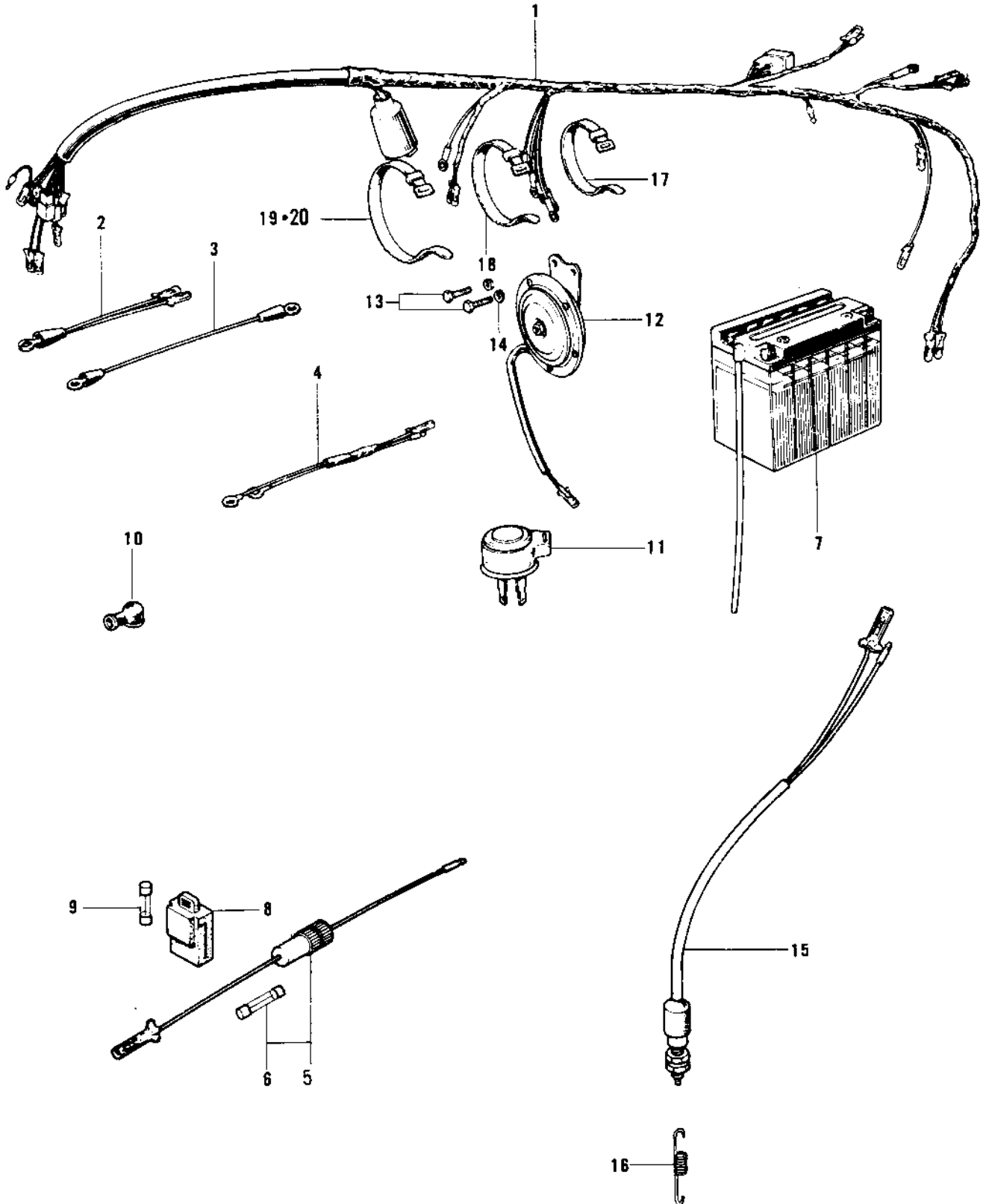


1975 Mach I

PARTS DIAGRAM

CHASSIS ELECTRICAL EQUIPMENT (S1-A/B/C)



1975 Mach I

PARTS LIST

CHASSIS ELECTRICAL EQUIPMENT (S1-A/B/C)

ITEM NAME

PART NUMBER

QUANTITY
