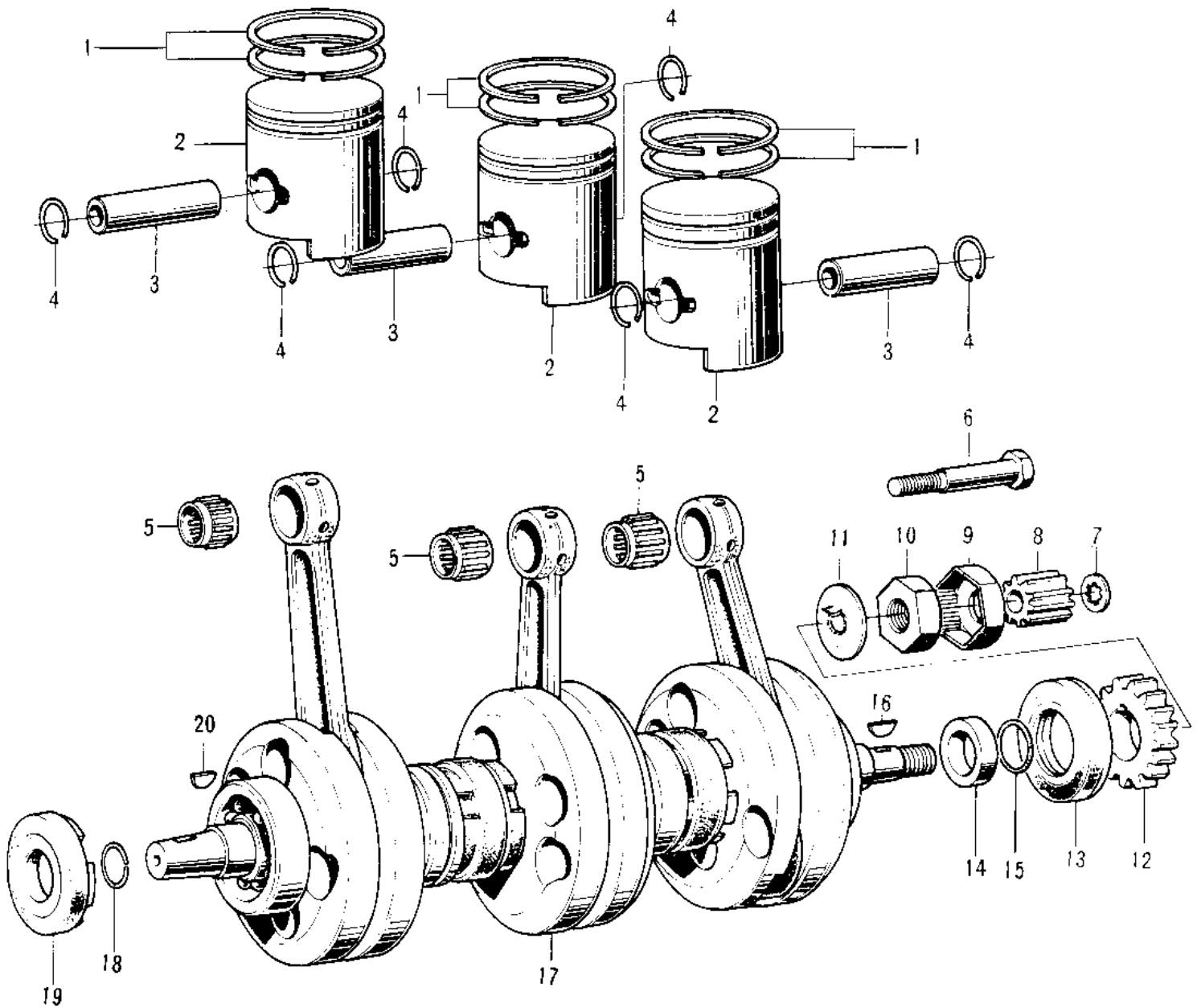


# 1974 Mach I

## PARTS DIAGRAM

### CRANKSHAFT/PISTONS



# 1974 Mach I

## PARTS LIST

### CRANKSHAFT/PISTONS

**ITEM NAME**

**PART NUMBER**

**QUANTITY**

---