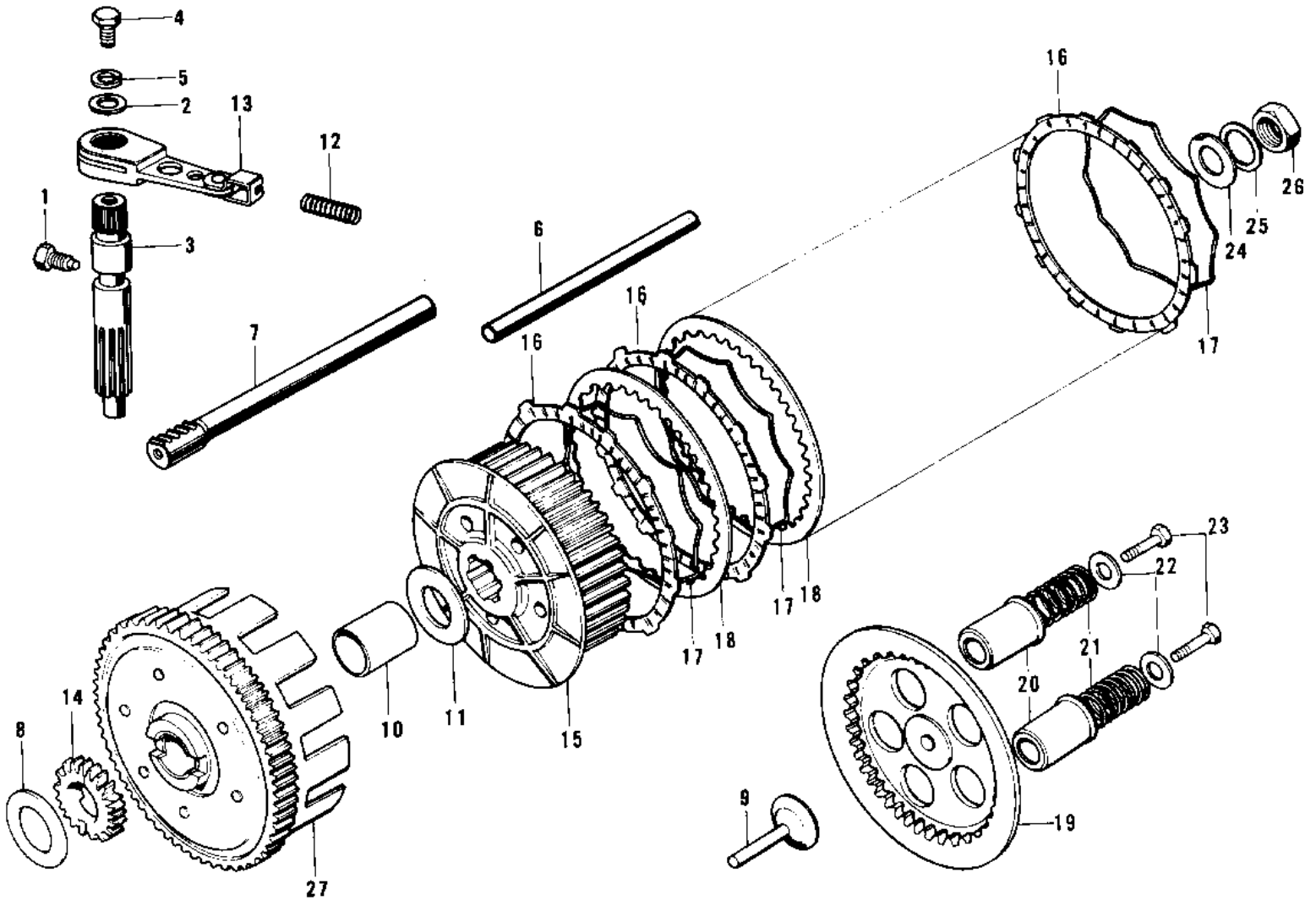


1973 F11M

PARTS DIAGRAM

CLUTCH ('73 F11M)



1973 F11M

PARTS LIST

CLUTCH ('73 F11M)

ITEM NAME	PART NUMBER	QUANTITY
BOLT (Ref # 1)	92001-129	
WASHER-PLAIN (Ref # 2)	92022-193	
SHAFT,CLUTCH RELEASE (Ref # 3)	13106-005	
BOLT-UPSET,6X12 (Ref # 4)	112G0612	
BOLT-UPSET,6X12 (Ref # 4)	112G0612	
WASHER SPRING 6MM (Ref # 5)	461F0600	
ROD-CLUTCH PUSH,LONG (Ref # 6)	13116-017	
ROD,CLUTCH PUSH (Ref # 7)	13116-024	
WASHER-CLUTCH THRUST (Ref # 8)	92022-168	
PUSHER-CLTCH SPRG PL (Ref # 9)	13116-020	
BUSHING (Ref # 10)	92028-105	
WASHER-PLAIN,20MM (Ref # 11)	92022-189	
SPRING-CLUTCH RELEAS (Ref # 12)	92081-069	
LEVER,CLUTCH RELEASE (Ref # 13)	13102-016	
PINION-KICKSTARTER (Ref # 14)	13075-008	
HUB-CLUTCH (Ref # 15)	13087-029	
PLATE,CLUTCH FRICTIO (Ref # 16)	13088-031	
RING-CLUTCH STEEL (Ref # 17)	13229-003	
PLATE CLUTCH STEEL (Ref # 18)	13089-013	
PLATE-CLUTCH SPRING (Ref # 19)	13187-005	
GUIDE CLUTCH SPRING (Ref # 20)	13092-005	
SPRING-CLUTCH (Ref # 21)	92081-083	
HOLDER CL SPG6.5X20X (Ref # 22)	13091-009	
BOLT-UPSET (Ref # 23)	112G0618	
BOLT-UPSET (Ref # 23)	112G0618	
WASHER-PLAIN (Ref # 24)	92022-229	
WASHER-LOCK,14MM (Ref # 25)	463G1400	
NUT,14MM (Ref # 26)	314B1400	
HOUSING-CLUTCH (Ref # 27)	13095-031	