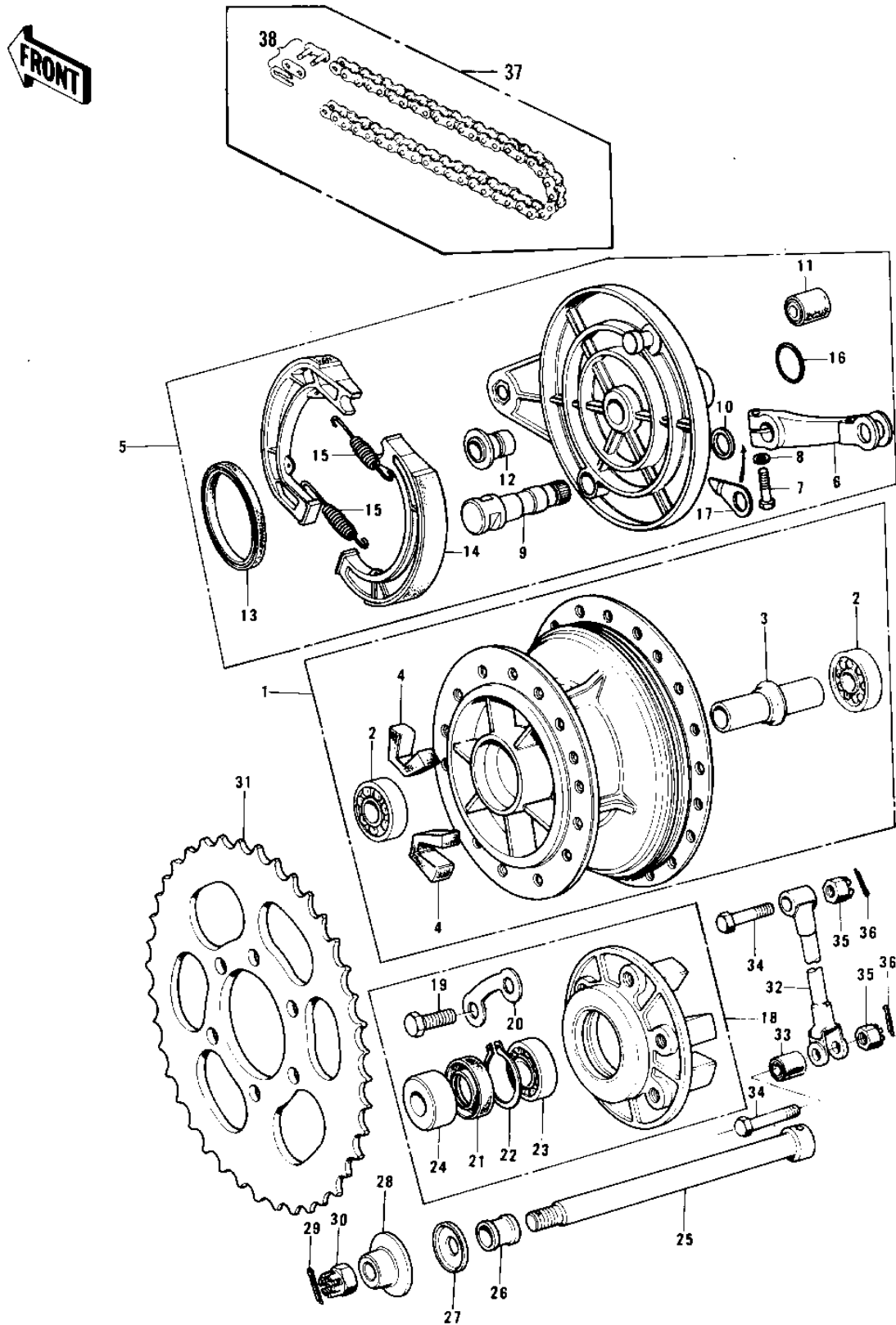


1975 F11-B

PARTS DIAGRAM

REAR HUB/BRAKE/CHAIN (F11-A/F11-B)



1975 F11-B

PARTS LIST

REAR HUB/BRAKE/CHAIN (F11-A/F11-B)

ITEM NAME

PART NUMBER

QUANTITY
