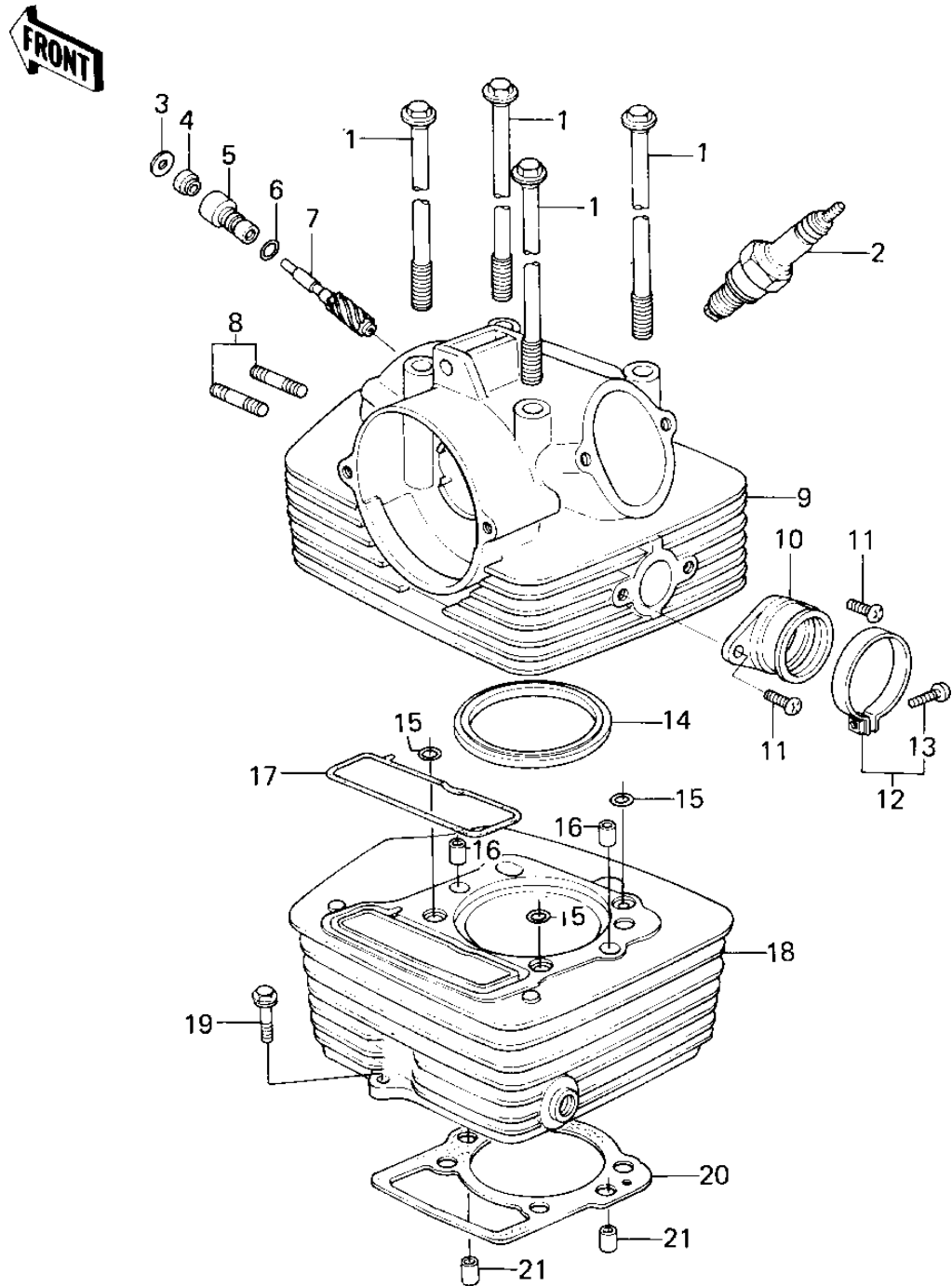


1978 KZ200-A1A

PARTS DIAGRAM

CYLINDER HEAD/CYLINDER



1978 KZ200-A1A

PARTS LIST

CYLINDER HEAD/CYLINDER

ITEM NAME	PART NUMBER	QUANTITY
BOLT,8X233 (Ref # 1)	92003-220	
SPARK PLUG B7ES (Ref # 2)	B7ES	
GASKET,TACHO GEAR (Ref # 3)	92065-104	
OIL SEAL (Ref # 4)	92050-075	
GUIDE,TACHOMETER GEAR (Ref # 5)	92087-011	
RING-O,10MM (Ref # 6)	92055-1149	
GEAR,TACHOMETER (Ref # 7)	13223-012	
STUD,6X27 (Ref # 8)	92004-066	
HEAD ASSY,CYLINDER (Ref # 9)	11002-5014	
HOLDER,CARBURETOR (Ref # 10)	16065-045	
SCREW PAN HEAD 6X14 (Ref # 11)	220B0614	
CLAMP, CARBURETOR HOLDER (Ref # 12)	92037-178	
SCREW-PAN-CROS,5X25 (Ref # 13)	220B0525	
GASKET,CYLINDER HEAD (Ref # 14)	11004-1004	
RING-O,10MM (Ref # 15)	92055-1149	
PIN,DOWEL,10X8.2X14 (Ref # 16)	92043-1037	
"O" RING (Ref # 17)	92055-105	
CYLINDER (Ref # 18)	11005-153	
BOLT (Ref # 19)	92003-202	
GASKET,CYLINDER BASE (Ref # 20)	11009-043	
PIN,DOWEL,10X8.2X14 (Ref # 21)	92043-1037	