

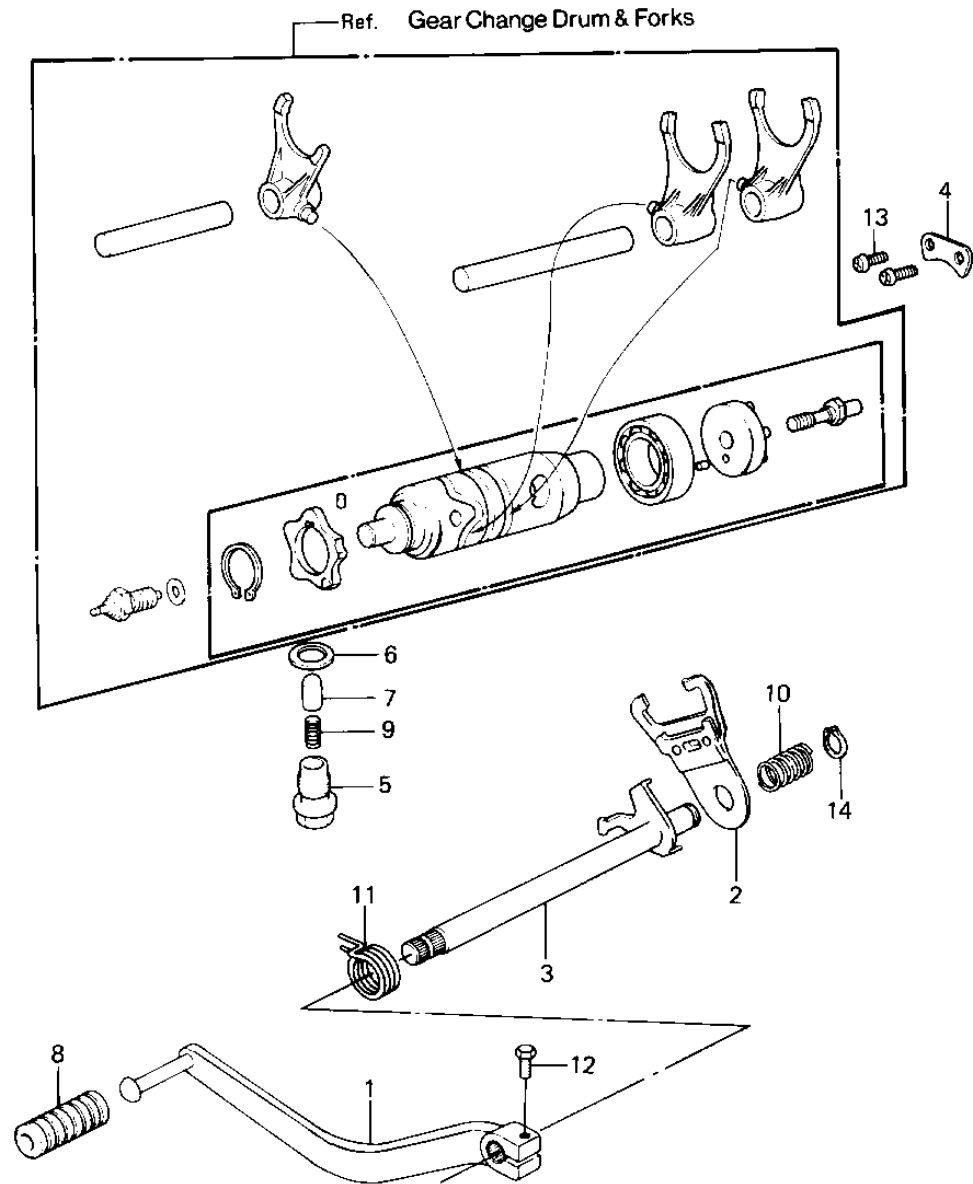
1983 KLT200

PARTS DIAGRAM

GEAR CHANGE MECHANISM ('83 KLT200-A4/A4A)



E1370-0049



1983 KLT200

PARTS LIST

GEAR CHANGE MECHANISM ('83 KLT200-A4/A4A)

ITEM NAME

PART NUMBER

QUANTITY
