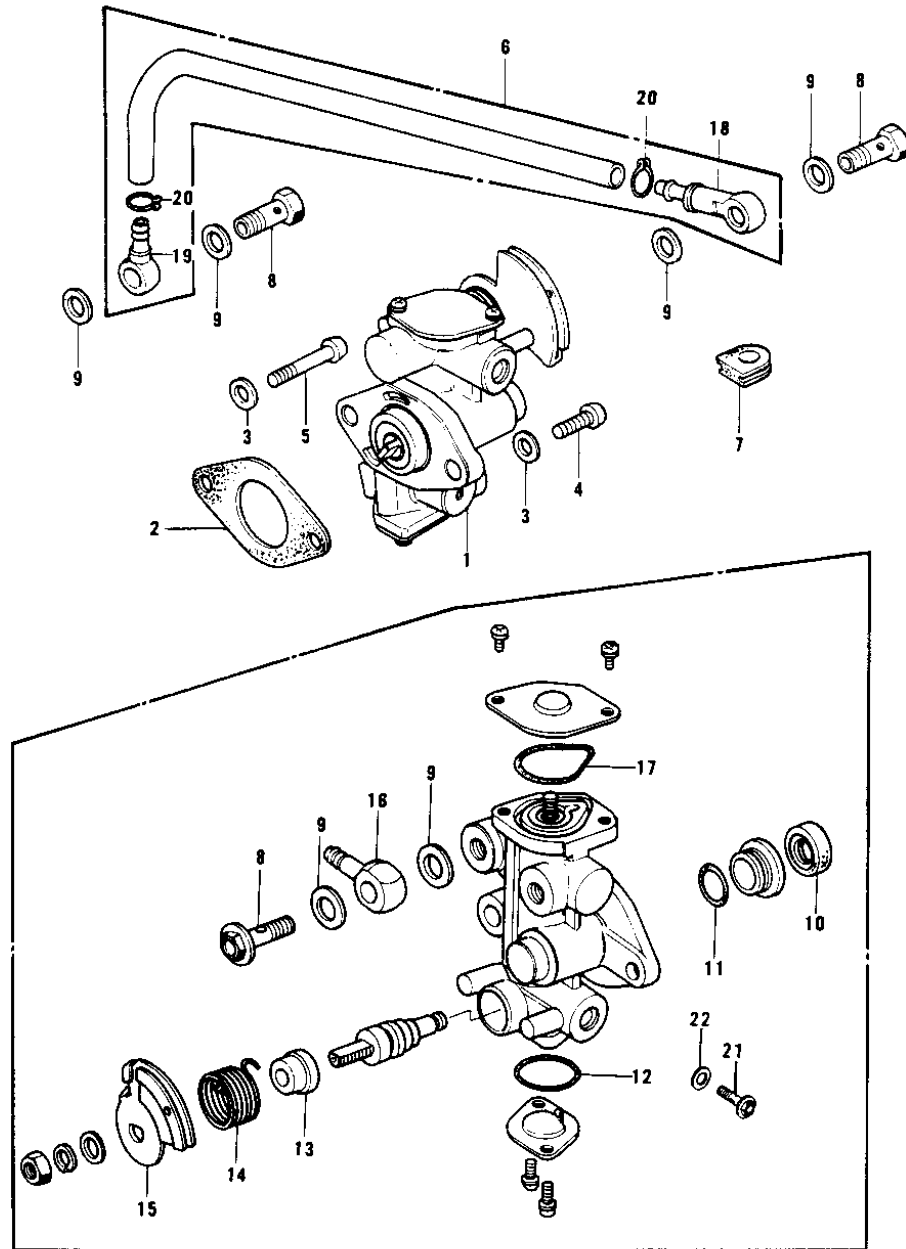


1979 KD175-A4

PARTS DIAGRAM

OIL PUMP



1979 KD175-A4

PARTS LIST

OIL PUMP

ITEM NAME	PART NUMBER	QUANTITY
OIL PUMP ASSY (Ref # 1)	16082-068	
OIL PUMP ASSY (Ref # 1)	16082-068	
GASKET,OIL PUMP (Ref # 2)	11060-1160	
WASHER OIL PUMP (Ref # 3)	92022-037	
SCREW-PAN-CROS (Ref # 4)	220B0514	
SCREW PAN CROSS,5X28 (Ref # 5)	220B0528	
PIPE ASSY,OIL (Ref # 6)	16134-028	
GROMMET,OIL PUMP (Ref # 7)	92071-091	
BOLT-BANJO,6MM (Ref # 8)	92060-013	
WASHER OIL PUMP BANJO (Ref # 9)	92022-077	
OIL SEAL OIL PUMP SHT (Ref # 10)	16091-001	
"0" RING,OIL PUMP SHT (Ref # 11)	16090-002	
"0" RING,LOWER CAP (Ref # 12)	16090-003	
"0" RING,LOWER CAP (Ref # 12)	16090-004	
SEAL-OIL,CAMSHAFT,"X" (Ref # 13)	92049-1294	
SPRING OIL PUMP LEVER (Ref # 14)	16093-004	
LEVER-OIL PUMP CABLE (Ref # 15)	16096-007	
CONNECTOR BANJO (Ref # 16)	92061-009	
"0" RING,UPPER CAP (Ref # 17)	16088-002	
VALVE,CHECK (Ref # 18)	16128-009	
CONNECTOR,OIL PIPE (Ref # 19)	92061-018	
CLAMP,OIL PIPE (Ref # 20)	92036-022	
BOLT,AIR VENT (Ref # 21)	92009-1010	
WASHER (Ref # 22)	92022-1006	