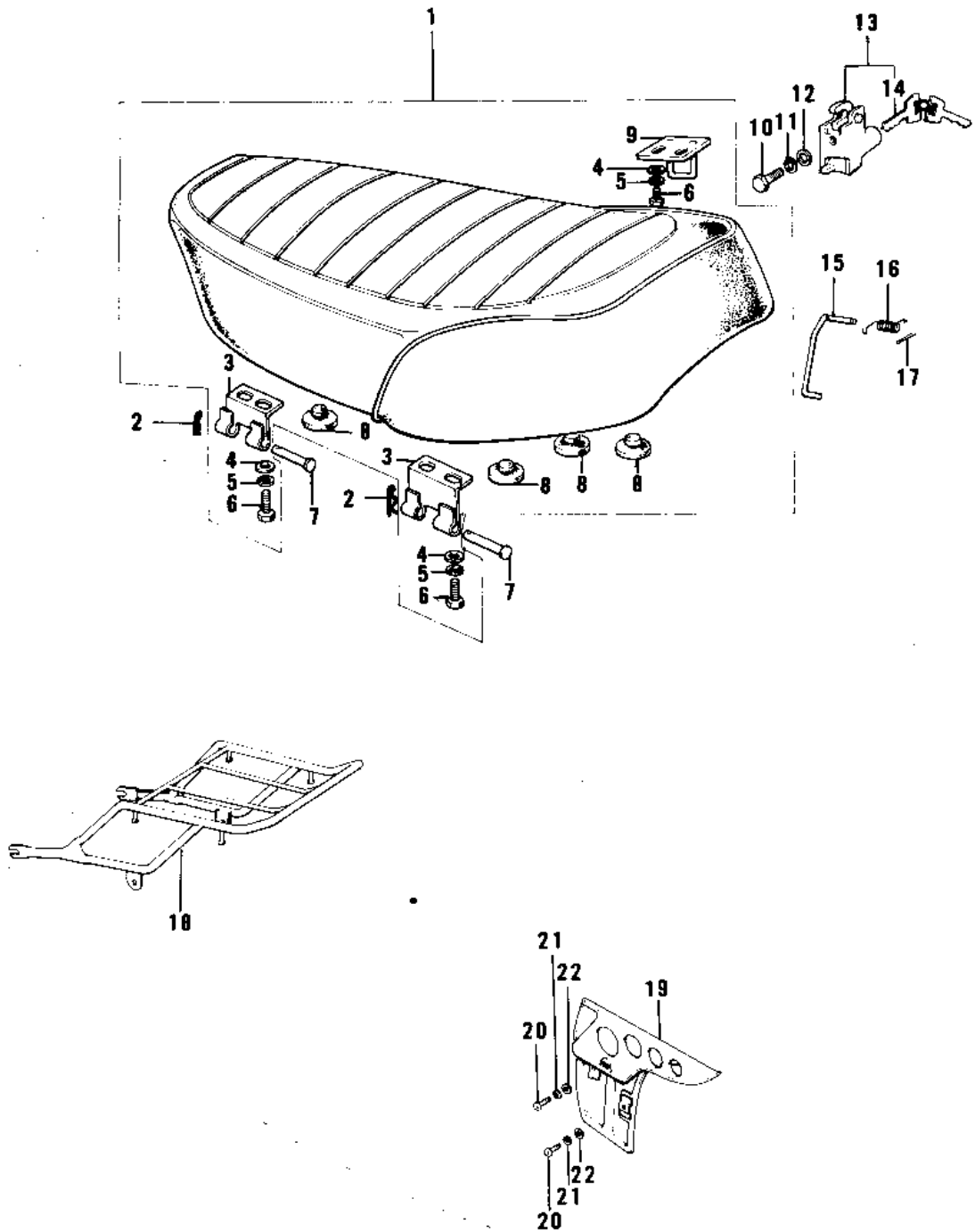


1971 F7

PARTS DIAGRAM

SEAT/CHAIN COVER ('74-'75 F7-C/F6-D)



1971 F7

PARTS LIST

SEAT/CHAIN COVER ('74-'75 F7-C/F6-D)

ITEM NAME	PART NUMBER	QUANTITY
SEAT ASSY, DUAL (Ref # 1)	53002-054	1
COTTER PIN (Ref # 2)	92041-003	2
HINGE (Ref # 3)	53009-015	2
WASHER PLAIN 6MM (Ref # 4)	411B0600	6
WASHER SPRING 6MM (Ref # 5)	461F0600	6
BOLT-UPSET 6X14 (Ref # 6)	112B0614	6
PIN (Ref # 7)	53011-002	2
DAMPER RUBB DUAL SEAT (Ref # 8)	92075-023	5
HOOK, SEAT (Ref # 9)	53008-021	1
BOLT-UPSET,6X12 (Ref # 10)	112G0612	1
WASHER SPRING 6MM (Ref # 11)	461F0600	1
WASHER PLAIN 6MM (Ref # 12)	411B0600	1
LOCK ASSY,SEAT (Ref # 13)	53045-014	1
KEY SET,#401 (Ref # 14)	27008-063-01	1
KEY SET,#402 (Ref # 14)	27008-063-02	1
KEY SET,#403 (Ref # 14)	27008-063-03	1
KEY SET,#404 (Ref # 14)	27008-063-04	1
KEY SET,#405 (Ref # 14)	27008-063-05	1
KEY SET,#406 (Ref # 14)	27008-063-06	1
KEY SET,#407 (Ref # 14)	27008-063-07	1
KEY SET,#408 (Ref # 14)	27008-063-08	1
KEY SET,#409 (Ref # 14)	27008-063-09	1
KEY SET,#410 (Ref # 14)	27008-063-10	1
KEY SET,#411 (Ref # 14)	27008-063-11	1
KEY SET,#412 (Ref # 14)	27008-063-12	1
KEY SET,#413 (Ref # 14)	27008-063-13	1
KEY SET,#414 (Ref # 14)	27008-063-14	1
KEY SET,#415 (Ref # 14)	27008-063-15	1
KEY SET,#416 (Ref # 14)	27008-063-16	1

1971 F7

PARTS LIST

SEAT/CHAIN COVER ('74-'75 F7-C/F6-D)

ITEM NAME	PART NUMBER	QUANTITY
KEY SET,#417 (Ref # 14)	27008-063-17	1
KEY SET,#418 (Ref # 14)	27008-063-18	1
KEY SET,#419 (Ref # 14)	27008-063-19	1
KEY SET,#420 (Ref # 14)	27008-063-20	1
KEY SET,#421 (Ref # 14)	27008-063-21	1
KEY SET,#422 (Ref # 14)	27008-063-22	1
KEY SET,#423 (Ref # 14)	27008-063-23	1
KEY SET,#424 (Ref # 14)	27008-063-24	1
KEY SET,#425 (Ref # 14)	27008-063-25	1
KEY SET,#426 (Ref # 14)	27008-063-26	1
KEY SET,#427 (Ref # 14)	27008-063-27	1
KEY SET,#428 (Ref # 14)	27008-063-28	1
KEY SET,#429 (Ref # 14)	27008-063-29	1
KEY SET,#430 (Ref # 14)	27008-063-30	1
STAND, SEAT (Ref # 15)	53054-007	1
SPRING,SEAT STAND (Ref # 16)	53055-002	1
PIN COTTER 2.0X15 (Ref # 17)	550D2015	1
CARRIER-LUGGAGE (Ref # 18)	53029-045	1
CASE-CHAIN,BLACK (Ref # 19)	36014-035-21	1
SCREW PAN HEAD 6X12 (Ref # 20)	220B0612	2
WASHER SPRING 6MM (Ref # 21)	461F0600	2
WASHER PLAIN 6MM (Ref # 22)	411B0600	2