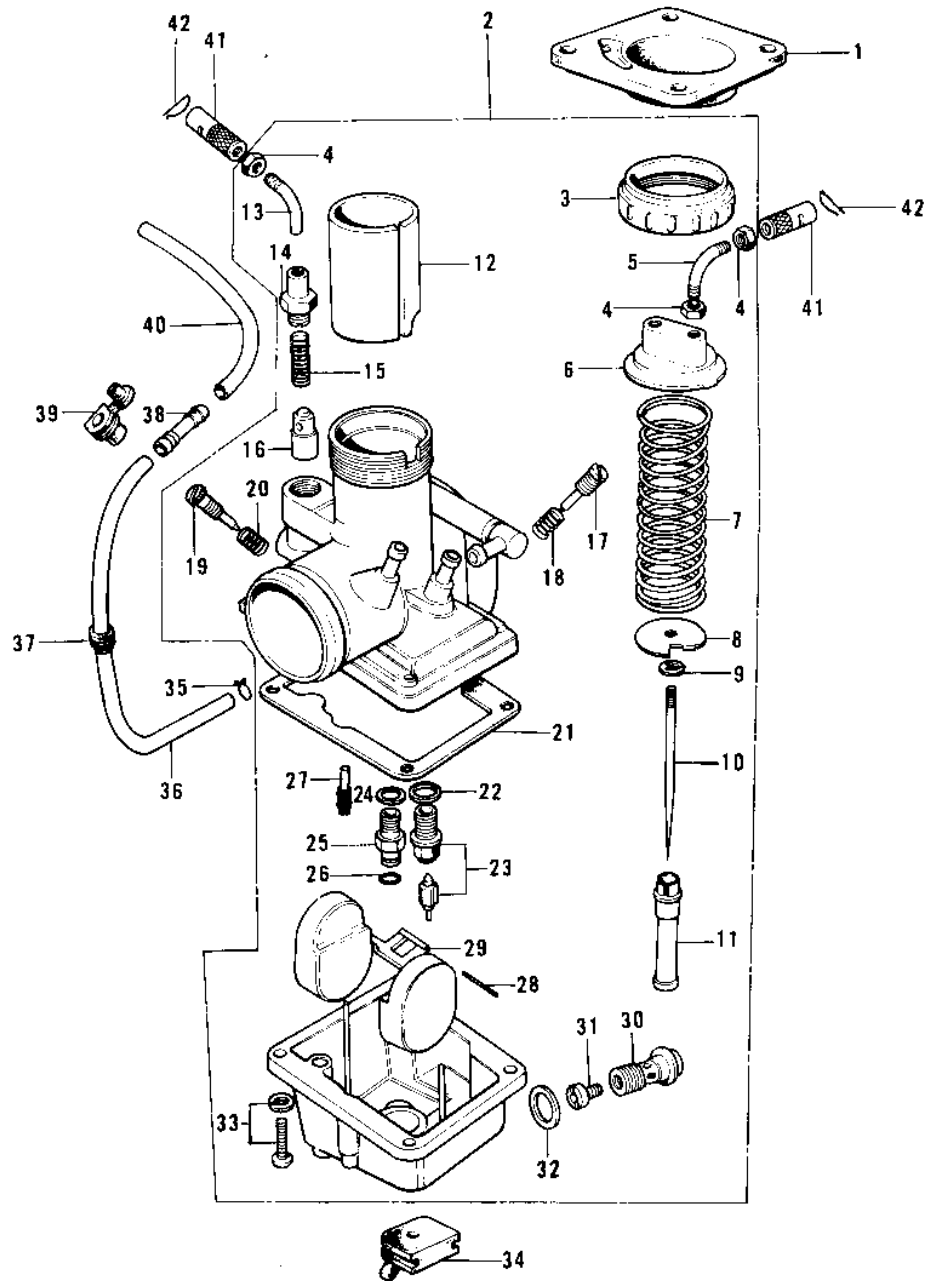


1971 F7

PARTS DIAGRAM

CARBURETOR ('74-'75 F7-C/F6-D)



1971 F7

PARTS LIST

CARBURETOR ('74-'75 F7-C/F6-D)

Kawasaki

Let the Good Times Roll®

ITEM NAME	PART NUMBER	QUANTITY
CAP,CARBURETOR (Ref # 1)	14038-038	1
CARBURETOR ASSY (Ref # 2)	16001-197	1
CAP MIXING CHAMBER (Ref # 3)	16004-011	1
NUT CABLE ADJUST LOCK (Ref # 4)	16003-004	3
CABLE GUIDE (Ref # 5)	16077-001	1
TOP,MIXING CHAMBER (Ref # 6)	16005-025	1
SPRING,THROTTLE VALV (Ref # 7)	16006-023	1
SPRING SEAT,THRTL VLV (Ref # 8)	16007-025	1
CIRCLIP (Ref # 9)	16008-010	1
JET NEEDLE 4EJ3 (Ref # 10)	16009-040	1
NEEDLE JET,O-G (Ref # 11)	16017-057	1
VALVE,THROTTLE CA3.0 (Ref # 12)	16025-070	1
GUIDE,CABLE (Ref # 13)	16077-010	1
CAP,STARTER PLUNGER (Ref # 14)	16012-017	1
SPRING-PLUNGER (Ref # 15)	16013-003	1
PLUNGER-ENRICHNER (Ref # 16)	16016-002	1
SCREW PILOT AIR ADJUST (Ref # 17)	16014-002	1
SPRING-THR STOP SCREW (Ref # 18)	16022-007	1
SCREW,THROTTLE STOP (Ref # 19)	16021-023	1
SPRING THR STOP SCREW (Ref # 20)	16022-005	1
GASKET,FLOAT CHAMBER (Ref # 21)	16019-023	1
WASHER FLOAT VLV SEAT (Ref # 22)	16029-004	1
FLOAT VALVE ASSY,#2.6 (Ref # 23)	16030-025	1
WASHER MAIN JET (Ref # 24)	16034-001	1
HOLDER-NEEDLE JET (Ref # 25)	16065-008	1
"O" RING (Ref # 26)	92055-044	1
JET-PILOT NO 30 (Ref # 27)	92064-022	1
FLOAT PIN (Ref # 28)	16032-006	1
FLOAT (Ref # 29)	16031-026	1

1971 F7

PARTS LIST

CARBURETOR ('74-'75 F7-C/F6-D)

ITEM NAME	PART NUMBER	QUANTITY
BOLT-BANJO (Ref # 30)	92001-097	1
MAIN JET,#A105R (Ref # 31)	92063-1042	1
GASKET-BANJO BOLT (Ref # 32)	16034-005	1
SCREW-PAN-WS-CROS (Ref # 33)	223B0414	4
GROMMET,OVERFLOW PIPE (Ref # 34)	16136-008	1
CLAMP FUEL PIPE (Ref # 35)	92037-010	2
PIPE (Ref # 36)	92059-065	1
GROMMET PIPE (Ref # 37)	92071-038	1
NIPPLE (Ref # 38)	92005-003	1
GROMMET (Ref # 39)	92071-073	1
PIPE OIL TANK (Ref # 40)	92059-002	1
CABLE ADJUSTER (Ref # 41)	16002-007	2
CIRCLIP (Ref # 42)	92036-018	2