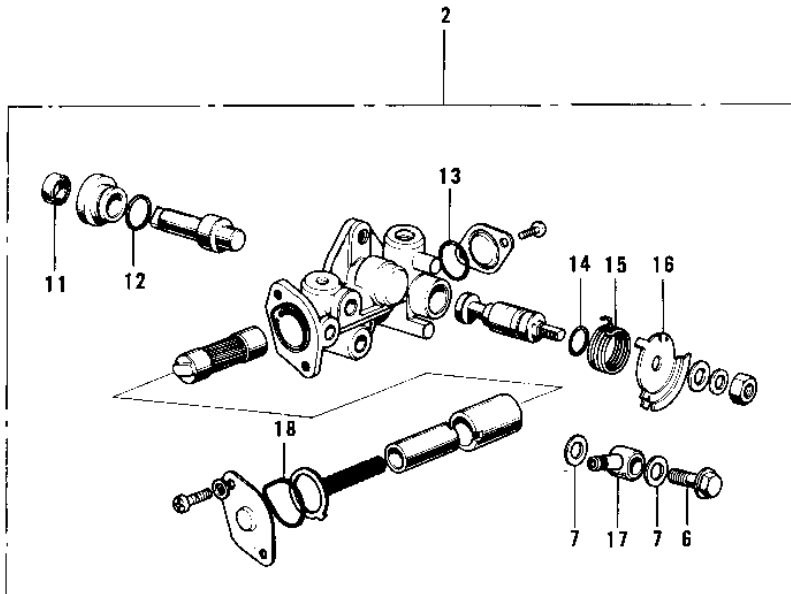
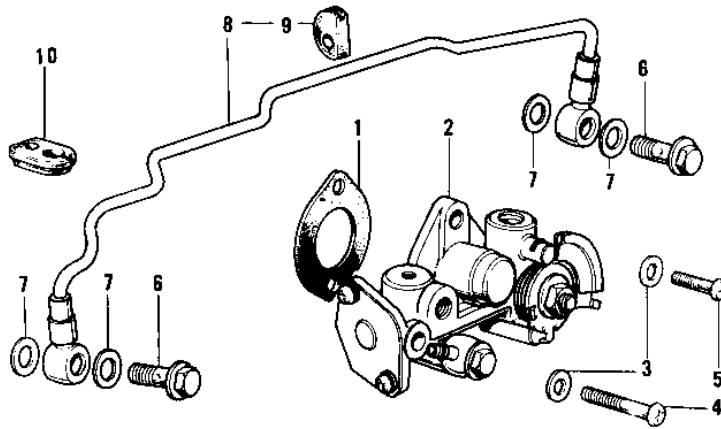


# 1973 F7-B

## PARTS DIAGRAM

### OIL PUMP ('74-'75 F7-C/F6-D)



# 1973 F7-B

## PARTS LIST

OIL PUMP ('74-'75 F7-C/F6-D)

**ITEM NAME**

**PART NUMBER**

**QUANTITY**

---