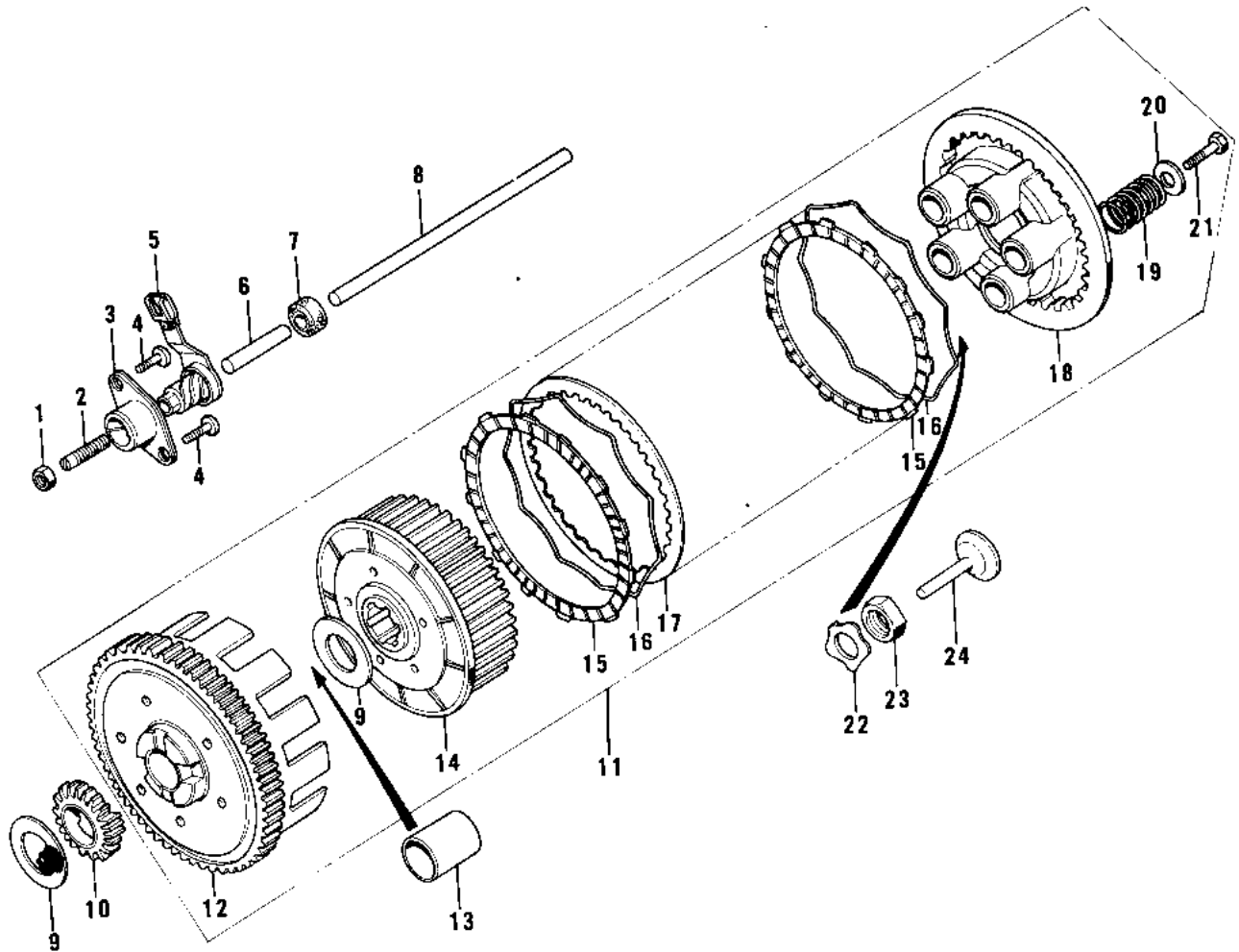


1971 F7

PARTS DIAGRAM

CLUTCH ('74-'75 F7-C/F6-D)



1971 F7

PARTS LIST

CLUTCH ('74-'75 F7-C/F6-D)

Kawasaki

Let the Good Times Roll®

ITEM NAME	PART NUMBER	QUANTITY
NUT 6MM (Ref # 1)	311B0600	1
NUT 6MM (Ref # 1)	311B0600	AL
SCREW SLOTTED (Ref # 2)	291Z0625	1
RELEASE OUTER-CLUTCH (Ref # 3)	13118-006	2
SCREW PAN HEAD 6X14 (Ref # 4)	220B0614	2
RELEASE INNER-CLUTCH (Ref # 5)	13102-011	1
ROD-CLUTCH PUSH,SHORT (Ref # 6)	13116-018	1
OIL SEAL TB7246 (Ref # 7)	92052-010	1
ROD-CLUTCH PUSH,LONG (Ref # 8)	13116-017	1
WASHER-CLUTCH THRUST (Ref # 9)	92022-168	2
PINION-KICKSTARTER (Ref # 10)	13075-006	1
CLUTCH-ASSY (Ref # 11)	13081-084	1
HOUSING-COMP-CLUTCH (Ref # 12)	13095-1024	1
BUSH-CLUTCH (Ref # 13)	92028-014	1
HUB,CLUTCH (Ref # 14)	13087-032	1
PLATE-FRICTION (Ref # 15)	13088-1015	5
RING-CLUTCH STEEL (Ref # 16)	13229-002	5
PLATE CLUTCH STEEL (Ref # 17)	13089-003	4
PLATE-CLUTCH SPRING (Ref # 18)	13187-004	1
SPRING-CLUTCH (Ref # 19)	92081-080	5
WASHER-PLAIN,5MM (Ref # 20)	92022-167	5
BOLT,5X18 (Ref # 21)	92003-078	5
WASHER-LOCK,14MM (Ref # 22)	92024-046	1
NUT 14MM (Ref # 23)	315B1400	1
PUSHER-CLTCH SPRG PLT (Ref # 24)	13116-016	1