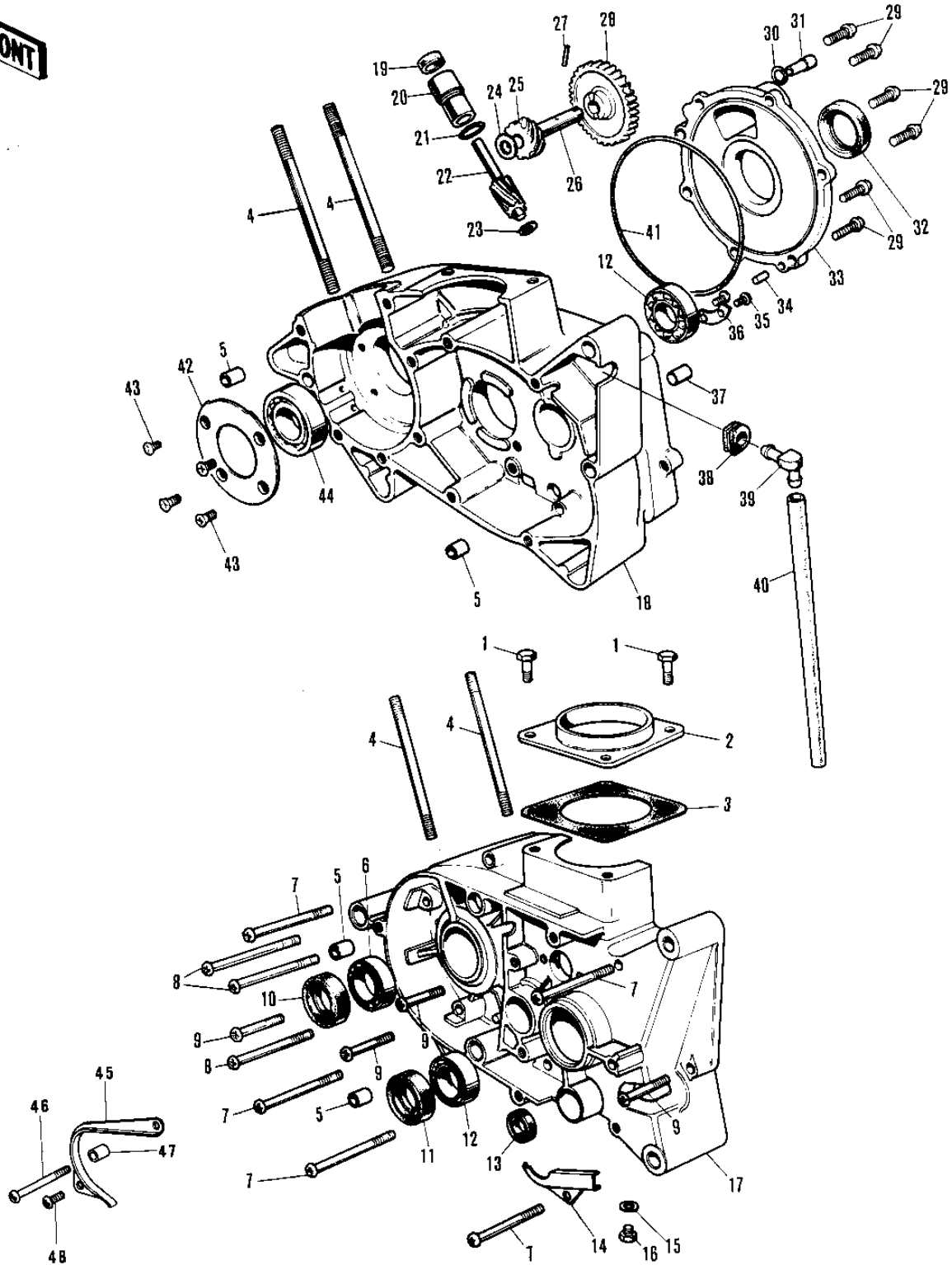


# 1971 F6

## PARTS DIAGRAM

### CRANKCASE



# 1971 F6

## PARTS LIST

### CRANKCASE

| ITEM NAME | PART NUMBER | QUANTITY |
|-----------|-------------|----------|
|-----------|-------------|----------|

---