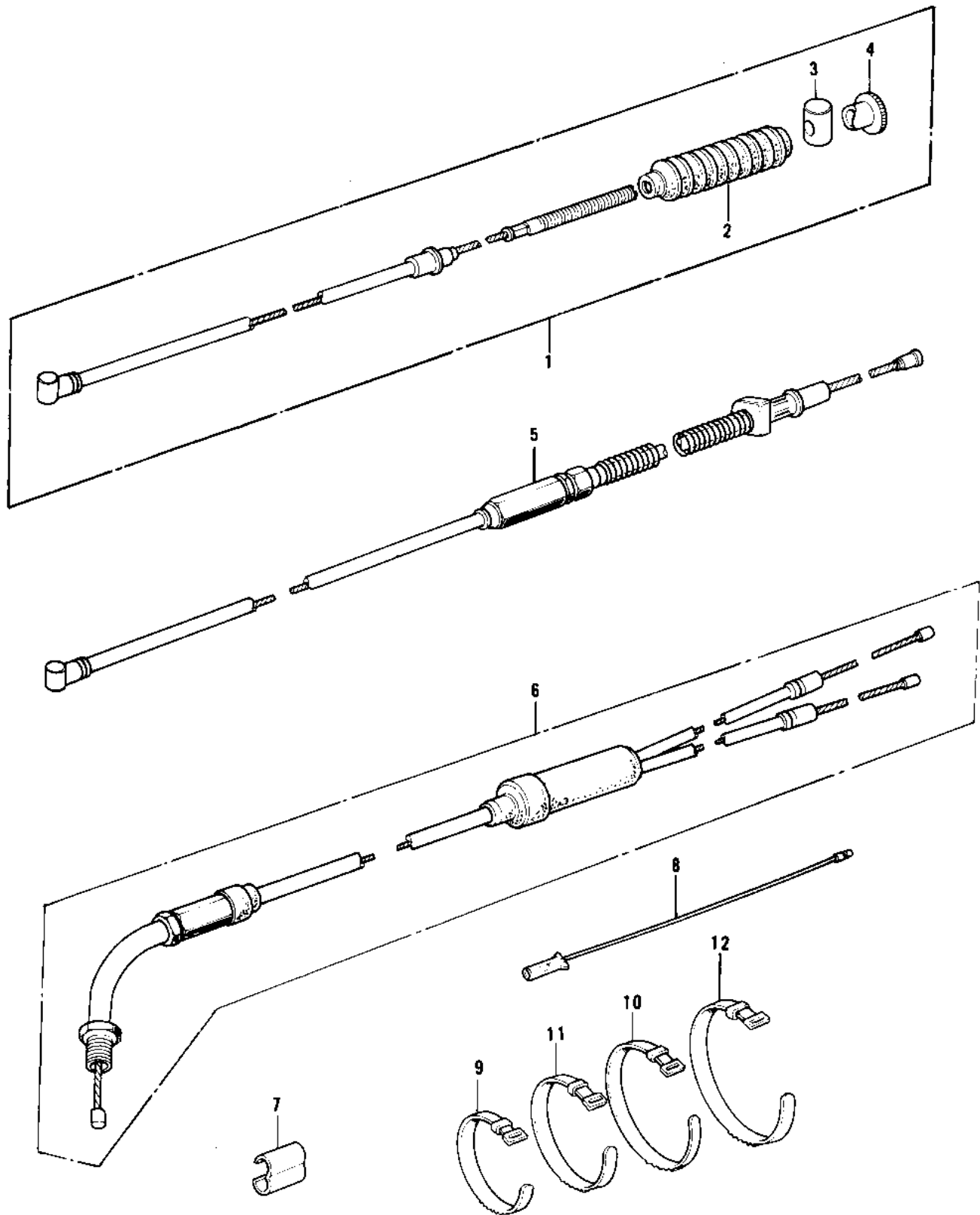


# 1978 KD100-M3

## PARTS DIAGRAM

### CABLES/CHASSIS ELECTRICAL EQUIPMENT



# 1978 KD100-M3

## PARTS LIST

### CABLES/CHASSIS ELECTRICAL EQUIPMENT

ITEM NAME	PART NUMBER	QUANTITY
-----------	-------------	----------

---