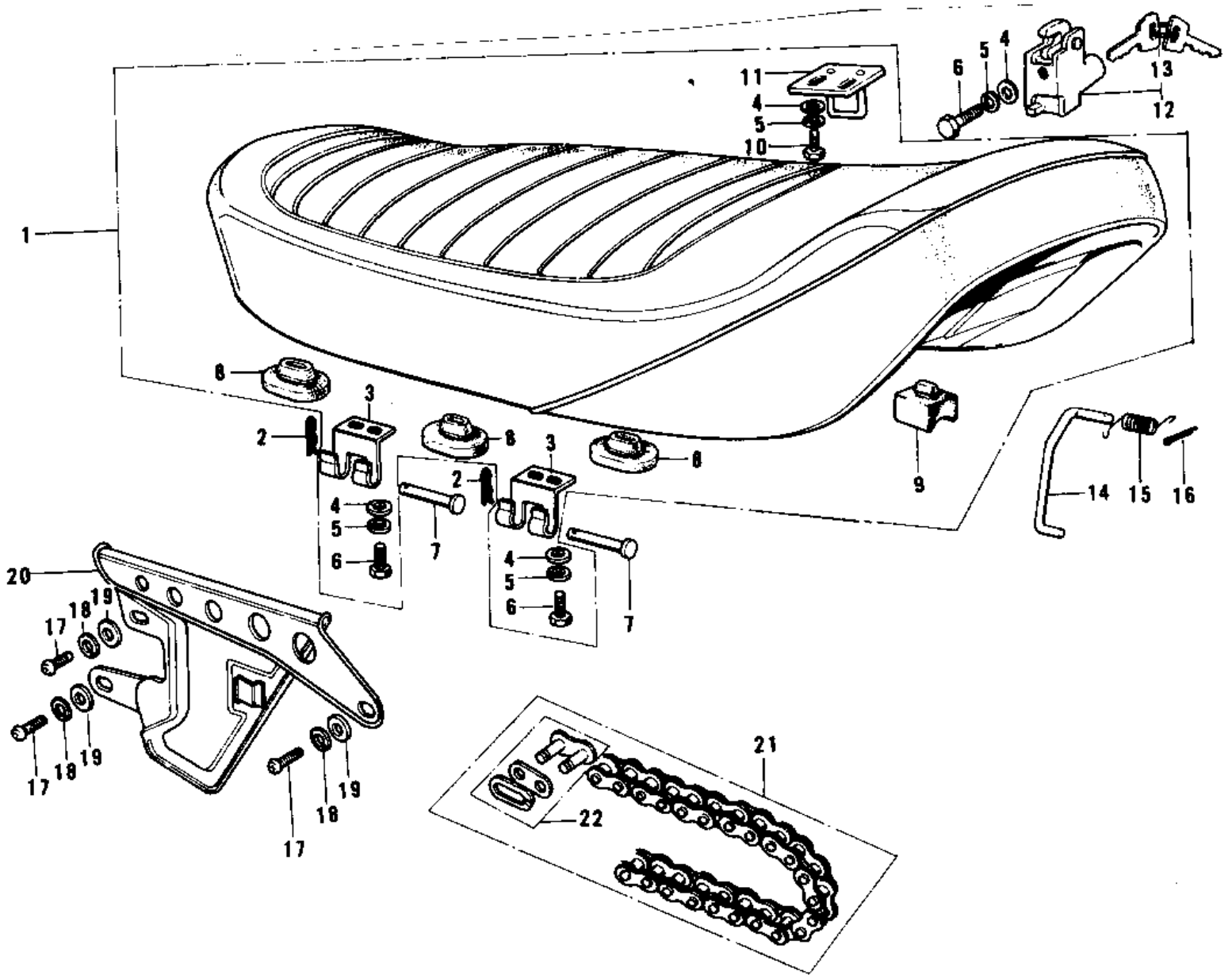


1972 G5

PARTS DIAGRAM

SEAT/CHAIN COVER/CHAIN ('74-'75 B/C)



1972 G5

PARTS LIST

SEAT/CHAIN COVER/CHAIN ('74-'75 B/C)

ITEM NAME	PART NUMBER	QUANTITY
SEAT ASSY (Ref # 1)	53002-1015	1
COTTER PIN (Ref # 2)	92041-003	2
HINGE,BLACK (Ref # 3)	53009-017-10	2
WASHER PLAIN 6MM (Ref # 4)	411B0600	7
WASHER SPRING 6MM (Ref # 5)	461F0600	7
BOLT-UPSET,6X12 (Ref # 6)	112G0612	5
PIN (Ref # 7)	53011-002	2
DAMPER RUBB DUAL SEAT (Ref # 8)	92075-023	4
DAMPER RUBBER,SEAT (Ref # 9)	92075-216	2
BOLT-UPSET 6X14 (Ref # 10)	112B0614	2
HOOK, SEAT (Ref # 11)	53008-021	1
LOCK ASSY,SEAT (Ref # 12)	53045-014	1
KEY SET,#401 (Ref # 13)	27008-063-01	1
KEY SET,#402 (Ref # 13)	27008-063-02	1
KEY SET,#403 (Ref # 13)	27008-063-03	1
KEY SET,#404 (Ref # 13)	27008-063-04	1
KEY SET,#405 (Ref # 13)	27008-063-05	1
KEY SET,#406 (Ref # 13)	27008-063-06	1
KEY SET,#407 (Ref # 13)	27008-063-07	1
KEY SET,#408 (Ref # 13)	27008-063-08	1
KEY SET,#409 (Ref # 13)	27008-063-09	1
KEY SET,#410 (Ref # 13)	27008-063-10	1
KEY SET,#411 (Ref # 13)	27008-063-11	1
KEY SET,#412 (Ref # 13)	27008-063-12	1
KEY SET,#413 (Ref # 13)	27008-063-13	1
KEY SET,#414 (Ref # 13)	27008-063-14	1
KEY SET,#415 (Ref # 13)	27008-063-15	1
KEY SET,#416 (Ref # 13)	27008-063-16	1
KEY SET,#417 (Ref # 13)	27008-063-17	1

1972 G5

PARTS LIST

SEAT/CHAIN COVER/CHAIN ('74-'75 B/C)

ITEM NAME	PART NUMBER	QUANTITY
KEY SET,#418 (Ref # 13)	27008-063-18	1
KEY SET,#419 (Ref # 13)	27008-063-19	1
KEY SET,#420 (Ref # 13)	27008-063-20	1
KEY SET,#421 (Ref # 13)	27008-063-21	1
KEY SET,#422 (Ref # 13)	27008-063-22	1
KEY SET,#423 (Ref # 13)	27008-063-23	1
KEY SET,#424 (Ref # 13)	27008-063-24	1
KEY SET,#425 (Ref # 13)	27008-063-25	1
KEY SET,#426 (Ref # 13)	27008-063-26	1
KEY SET,#427 (Ref # 13)	27008-063-27	1
KEY SET,#428 (Ref # 13)	27008-063-28	1
KEY SET,#429 (Ref # 13)	27008-063-29	1
KEY SET,#430 (Ref # 13)	27008-063-30	1
STAND,SEAT (Ref # 14)	53054-003	1
SPRING,SEAT HOOK (Ref # 15)	53055-001	1
PIN COTTER 2.0X15 (Ref # 16)	550D2015	1
SCREW PAN HEAD 6X12 (Ref # 17)	220B0612	3
WASHER SPRING 6MM (Ref # 18)	461F0600	3
WASHER PLAIN 6MM (Ref # 19)	411B0600	3
CASE-CHAIN,FR BLACK (Ref # 20)	36014-043-21	1
CHAIN,DRIVE,EK428-G (Ref # 21)	92057-1085	1
JOINT-CHAIN (Ref # 22)	92058-1014	1