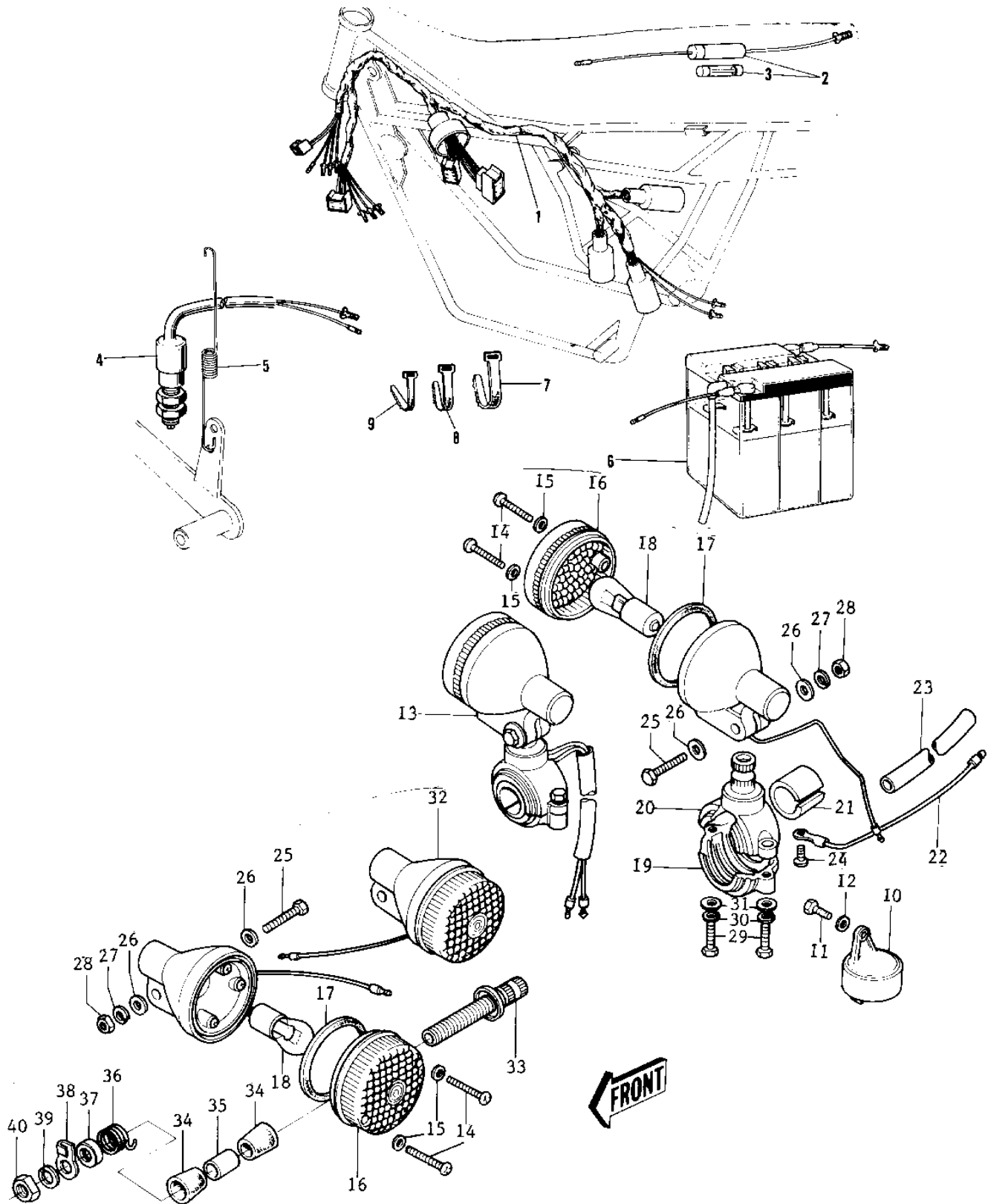


# 1973 G5-A

## PARTS DIAGRAM

### TURN SIGNALS/CHASSIS ELECTRICAL EQUIPMEN



# 1973 G5-A

## PARTS LIST

### TURN SIGNALS/CHASSIS ELECTRICAL EQUIPMEN

**ITEM NAME**

**PART NUMBER**

**QUANTITY**

---