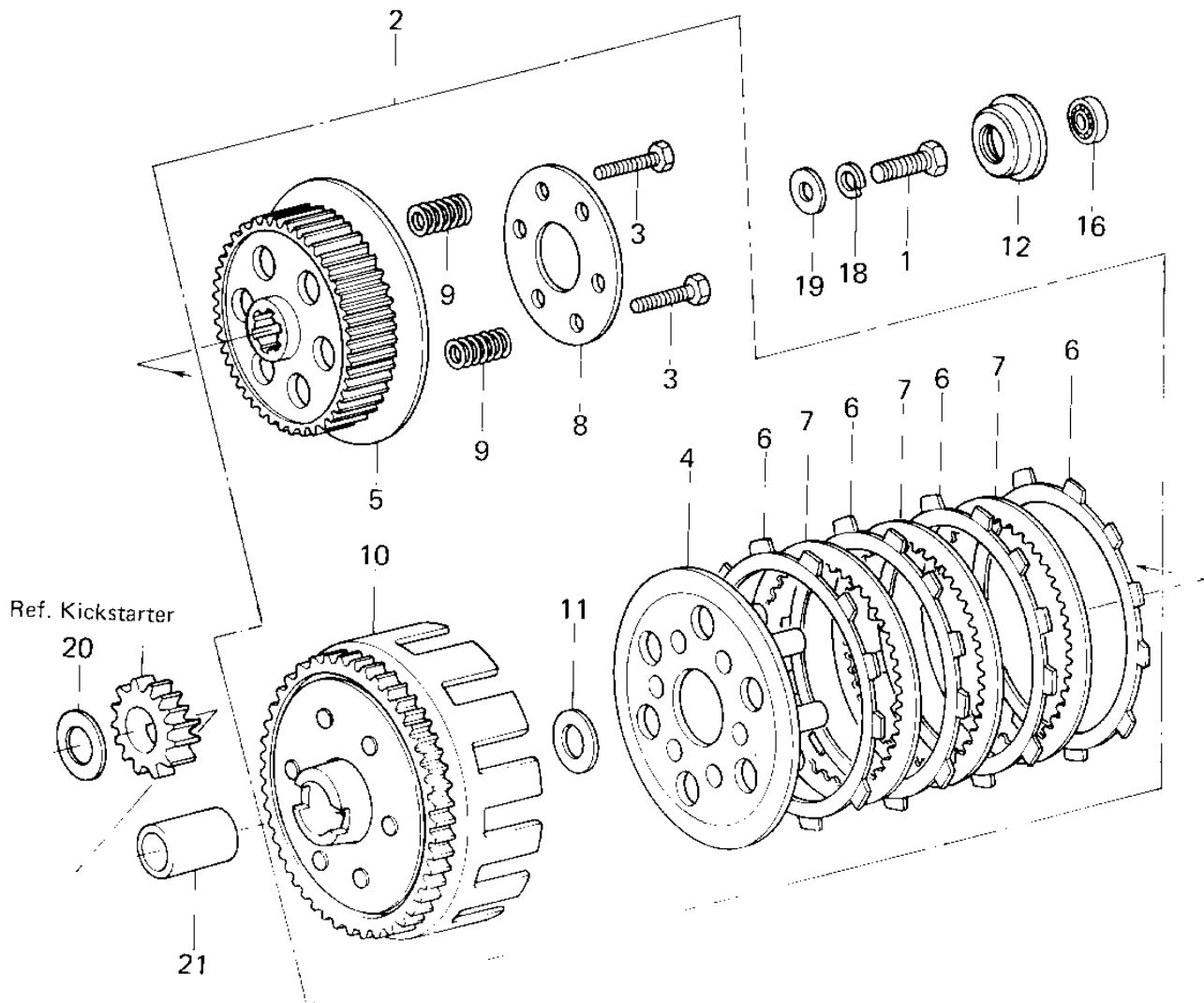
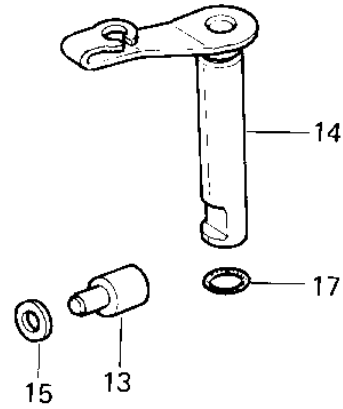


1981 KDX80

PARTS DIAGRAM

CLUTCH



1981 KDX80

PARTS LIST

CLUTCH

ITEM NAME	PART NUMBER	QUANTITY
BOLT,8X20 (Ref # 1)	115G0820	
CLUTCH-ASSY (Ref # 2)	13081-1028	
BOLT (Ref # 3)	110G0520	
WHEEL,CLUTCH (Ref # 4)	13086-1002	
HUB-CLUTCH (Ref # 5)	13087-1113	
PLATE,CLUTCH FRICTION (Ref # 6)	13088-1010	
PLATE-CLUTCH,STEEL (Ref # 7)	13089-1009	
HOLDER,CLUTCH SPRING (Ref # 8)	13091-1115	
SPRING,CLUTCH (Ref # 9)	92081-1175	
HOUSING,CLUTCH (Ref # 10)	13095-1018	
SPACER,17X30X2 (Ref # 11)	92026-1034	
HOLDER,CLUTCH PUSHER (Ref # 12)	13091-1038	
PUSHER,CLUTCH (Ref # 13)	13114-1004	
LEVER,CLUTCH RELEASE (Ref # 14)	13236-1019	
WASHER PLAIN 6MM (Ref # 15)	410B0600	
BEARING-BALL (Ref # 16)	92045-1211	
"O" RING,8.8MM (Ref # 17)	92055-099	
WASHER SPRING 8MM (Ref # 18)	461F0800	
WASHER,8.5X20X1.6 (Ref # 19)	92022-1561	
WASHER,17.3X28X1.0 (Ref # 20)	92022-255	
BUSHING,CLUTCH (Ref # 21)	92028-1057	