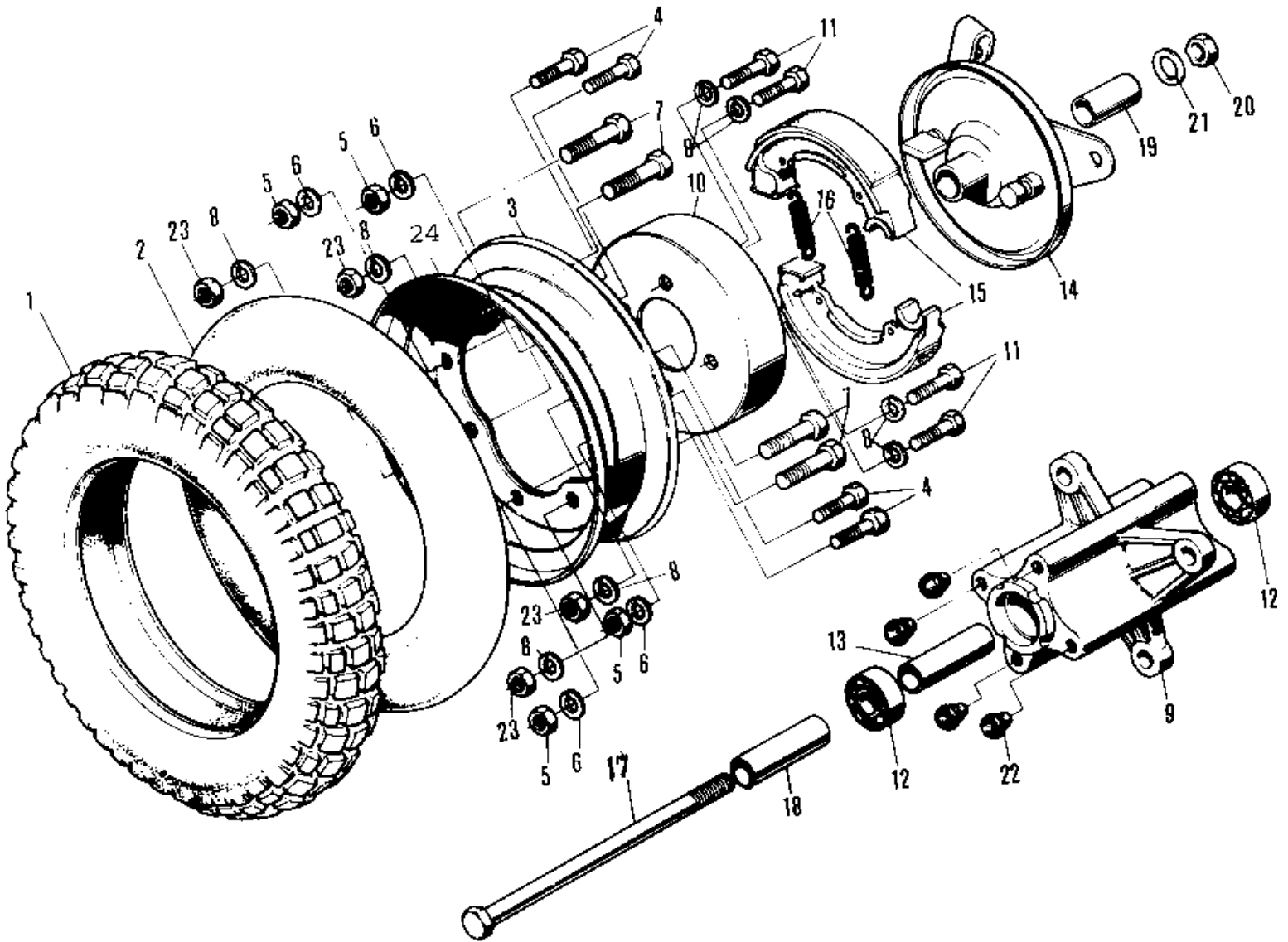


1972 MT1A

PARTS DIAGRAM

FRONT WHEEL/TIRE/HUB/BRAKE ('76-'80)



1972 MT1A

PARTS LIST

FRONT WHEEL/TIRE/HUB/BRAKE ('76-'80)

ITEM NAME	PART NUMBER	QUANTITY
UNAVAILABLE IN PRICE BOOK (Ref # 1)	41021-052	1
TUBE 350-8 (Ref # 2)	41022-037	1
RIM,2.50-8 (Ref # 3)	41025-081	1
BOLT,HEX HEAD,10X16 (Ref # 4)	113G1016	4
NUT,10MM (Ref # 5)	314B1000	4
WASHER SPRING 10MM (Ref # 6)	461F1000	4
BOLT,HEX HEAD,10X25 (Ref # 7)	113G1025	4
WASHER SPRING 10MM (Ref # 8)	461F1000	8
DRUM ASSY-REAR BRAKE (Ref # 8 13)	42005-025	1
DRUM-BRAKE (Ref # 10)	41054-003	1
BOLT-HEX HEAD,10X28 (Ref # 11)	92001-017	4
BEARING-BALL #6201Z (Ref # 12)	601B6201Z	2
SPACER-BEARING (Ref # 13)	42010-020	1
PANEL ASSY-FRNT BRAKE (Ref # 14 16)	41035-031	1
PANEL-ASY,FR BRK (Ref # 14 16)	41035-1009	1
SHOE,BRAKE (Ref # 15 16)	41048-1010	1
SHOE,BRAKE (Ref # 15 16)	41048-1010	2
SPRING-BRAKE SHOE (Ref # 16)	41049-009	2
AXLE-FRONT (Ref # 17)	41068-033	1
COLLAR-FRONT AXLE,R.H (Ref # 18)	41069-013	1
COLLAR-FRONT AXLE,L.H (Ref # 19)	41069-014	1
NUT-HEX-FINE (Ref # 20)	314B1200	1
NUT-HEX-FINE (Ref # 20)	314B1200	1
WASHER SPRING 12MM (Ref # 21)	461F1200	1
PLUG RUBBER (Ref # 22)	92074-005	4
NUT,10MM (Ref # 23)	314B1000	4
RIM,2.50-8 (Ref # 24)	41025-082	1