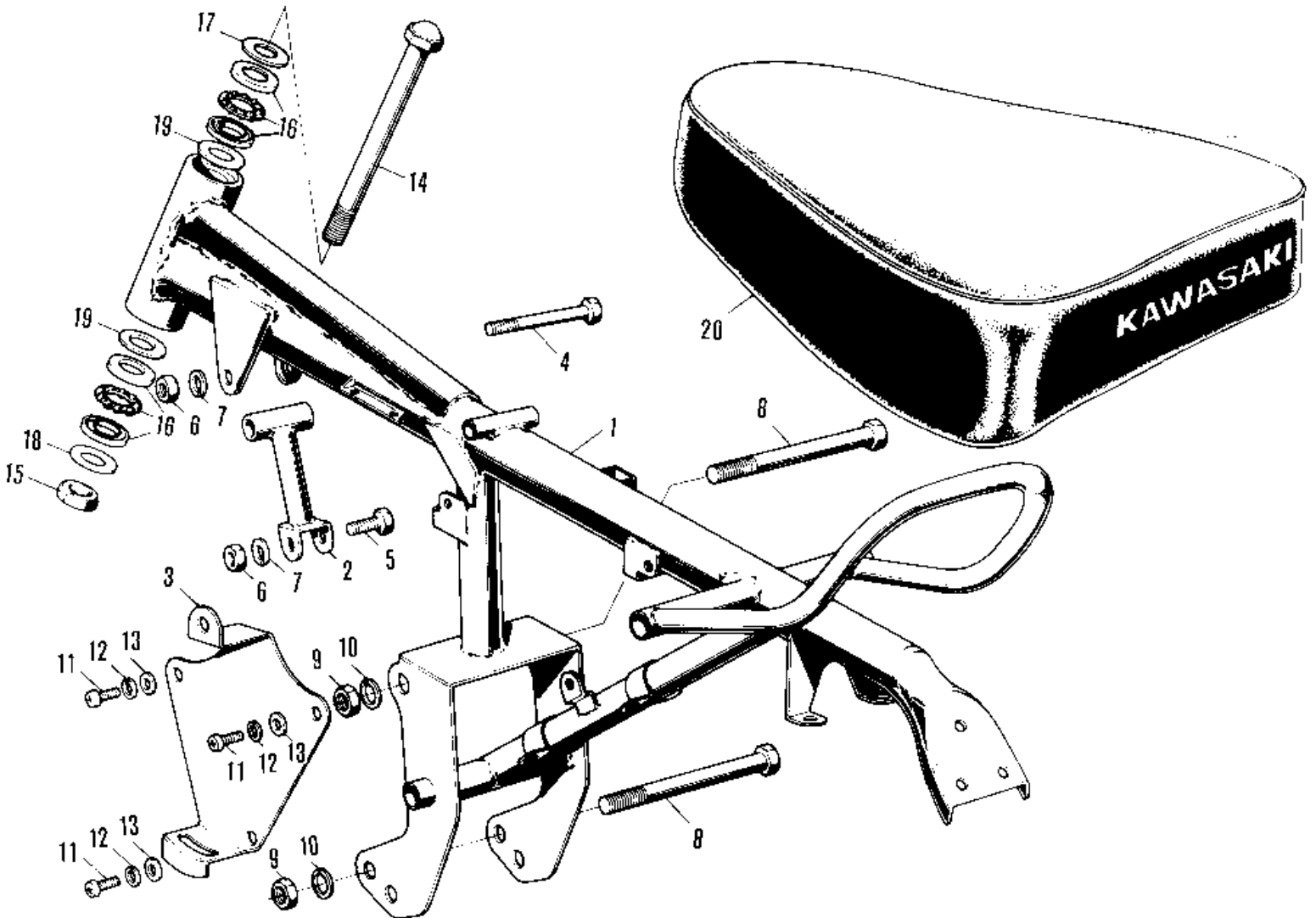


1972 MT1A

PARTS DIAGRAM

FRAME/FRAME FITTINGS/SEAT ('71-'75)



1972 MT1A

PARTS LIST

FRAME/FRAME FITTINGS/SEAT ('71-'75)

ITEM NAME	PART NUMBER	QUANTITY
FRAME (Ref # 1)	32002-144	
UNAVAILABLE IN PRICE BOOK (Ref # 1)	32002-056	
TUBE-DOWN (Ref # 2)	31076-016	
BRACKET-OIL TANK (Ref # 3)	32094-006	
UNAVAILABLE IN PRICE BOOK (Ref # 3)	32094-007	
BOLT,HEX HEAD,8X85 (Ref # 4)	92001-1226	
BOLT (Ref # 5)	92001-1578	
NUT,8MM (Ref # 6)	311B0800	
WASHER SPRING 8MM (Ref # 7)	461F0800	
BOLT, FLANGED, 10X110 (Ref # 8)	92001-1602	
NUT,10MM (Ref # 9)	314B1000	
WASHER SPRING 10MM (Ref # 10)	461F1000	
SCREW PAN HEAD 6X12 (Ref # 11)	220B0612	
WASHER SPRING 6MM (Ref # 12)	461F0600	
WASHER PLAIN 6MM (Ref # 13)	410B0600	
BOLT,STEERING HEAD (Ref # 14)	92001-156	
NUT-SELF LOCKING (Ref # 15)	92019-012	
THRUST BEARING (Ref # 16)	92119-001	
WASHER-PLAIN,16MM (Ref # 17)	411D1600	
WASHER-PLAIN,16MM (Ref # 18)	411B1600	
WASHER-PLAIN (Ref # 19)	92022-179	
COLLAR,STEERING (Ref # 19)	92027-1119	
SEAT (Ref # 20)	53002-024	