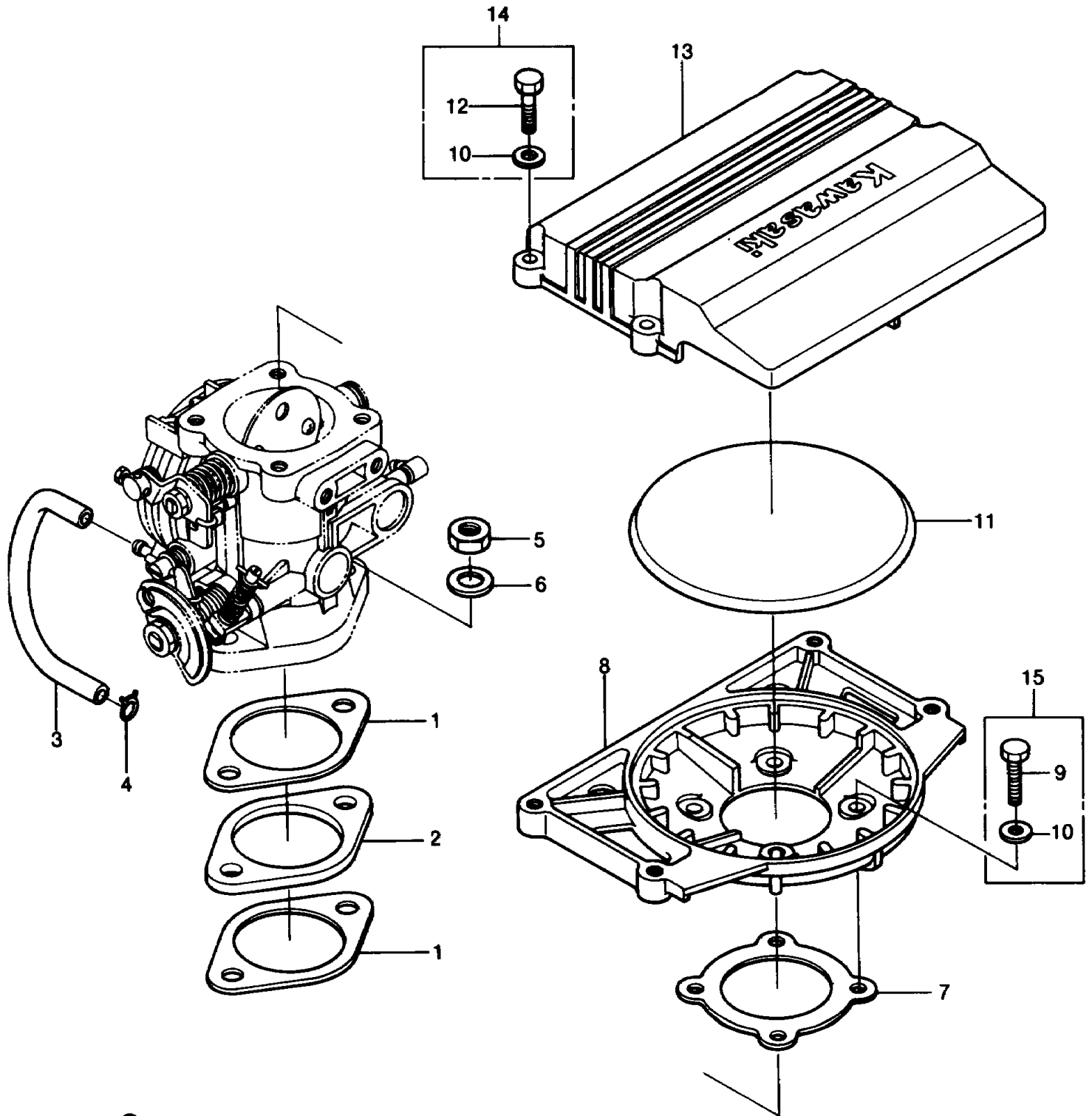


# 1987 JS550

## PARTS DIAGRAM

### FLAME ARRESTER



# 1987 JS550

## PARTS LIST FLAME ARRESTER

ITEM NAME	PART NUMBER	QUANTITY
-----------	-------------	----------

---