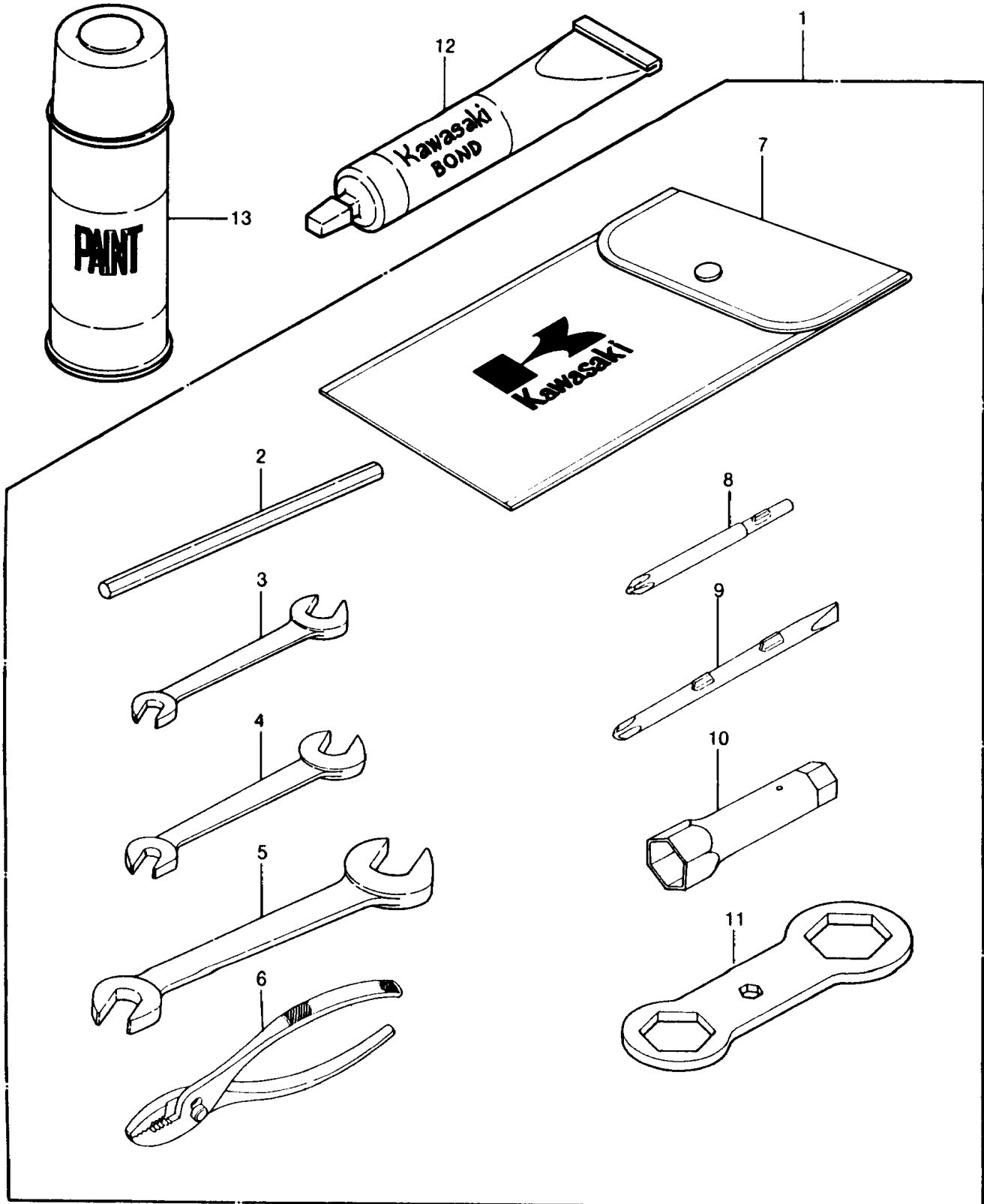


# 1988 JS440

## PARTS DIAGRAM

### OWNER TOOLS



# 1988 JS440

## PARTS LIST OWNER TOOLS

**ITEM NAME**

**PART NUMBER**

**QUANTITY**

---