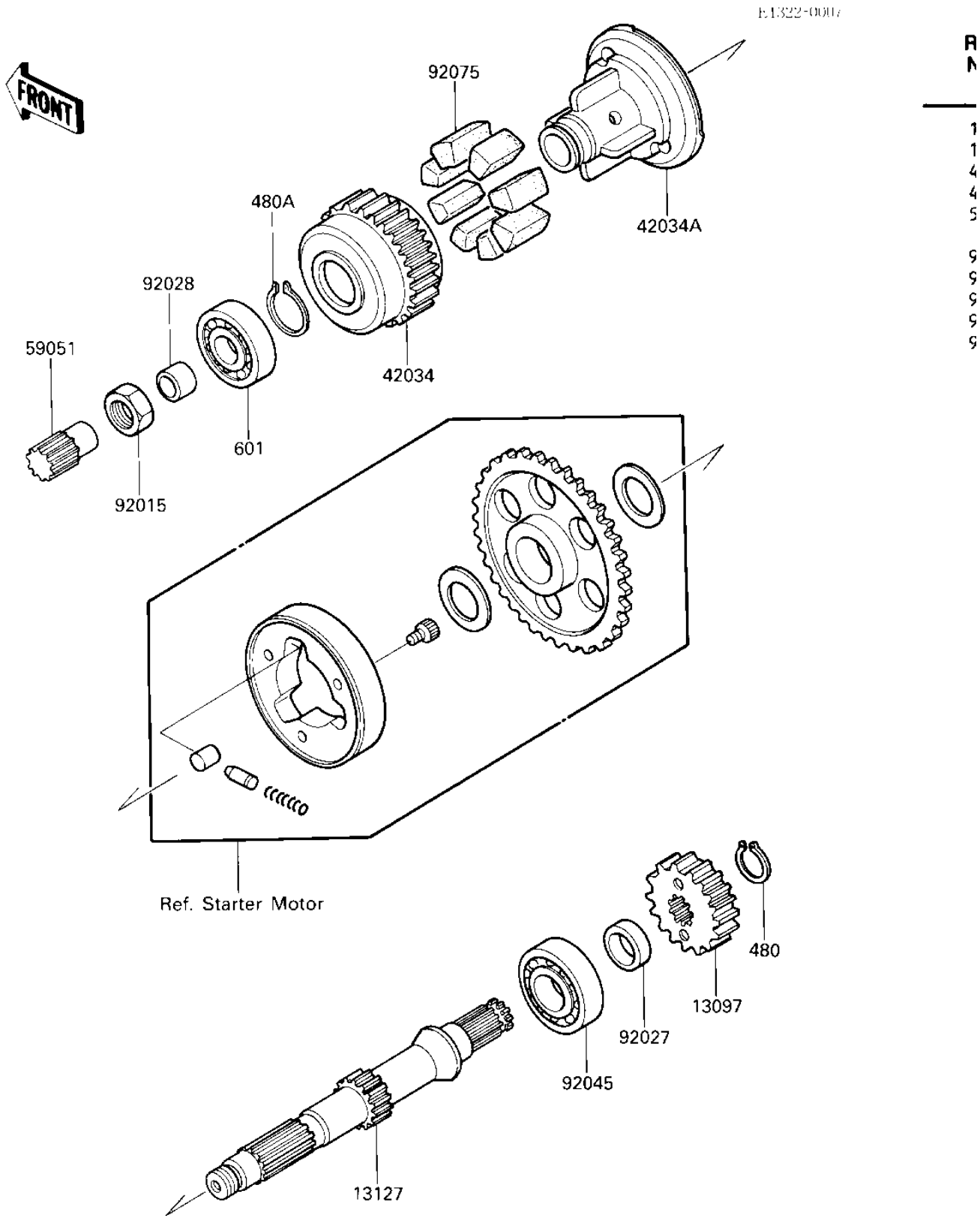


# 1987 Ninja® 600

## PARTS DIAGRAM SECONDARY SHAFT



# 1987 Ninja® 600

## PARTS LIST

### SECONDARY SHAFT

| ITEM NAME                           | PART NUMBER | QUANTITY |
|-------------------------------------|-------------|----------|
| GEAR-PRIMARY SPUR,28T (Ref # 13097) | 13097-1141  | 1        |
| SHAFT-TRANSMISSION IN (Ref # 13127) | 13127-1123  | 1        |
| COUPLING,OUTER (Ref # 42034)        | 42034-1004  | 1        |
| COUPLING,INNER (Ref # 42034A)       | 42034-1005  | 1        |
| GEAR-SPUR,10T (Ref # 59051)         | 59051-1137  | 1        |
| NUT 20MM (Ref # 92015)              | 92016-028   | 1        |
| COLLAR (Ref # 92027)                | 92027-1438  | 1        |
| BUSHING,SECONDARY (Ref # 92028)     | 92028-1037  | 1        |
| BEARING,BALL,#63/22X (Ref # 92045)  | 92045-1017  | 1        |
| DAMPER RUBBER,COUPLNG (Ref # 92075) | 92075-1070  | 8        |
| CIRCLIP,22MM (Ref # 480)            | 480J2200    | 1        |
| CIRCLIP 28MM (Ref # 480A)           | 480J2800    | 1        |
| BEARING BALL #6205 (Ref # 601)      | 601B6205    | 1        |