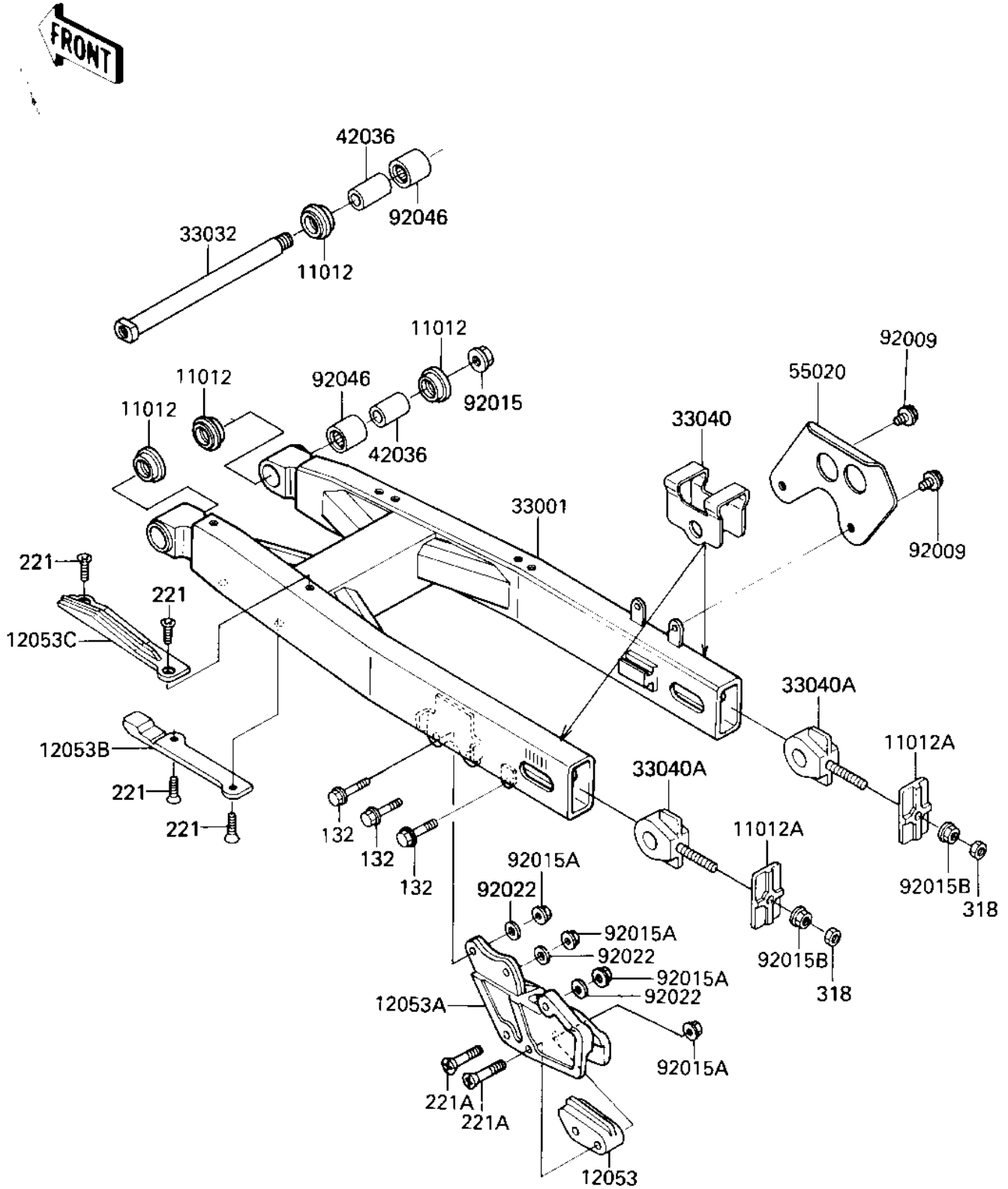


# 1987 KX250

## PARTS DIAGRAM

### SWING ARM

F2141-0050



# 1987 KX250

## PARTS LIST

### SWING ARM

ITEM NAME	PART NUMBER	QUANTITY
CAP,SWING ARM (Ref # 11012)	11012-1259	4
CAP,CHAIN ADJUSTER (Ref # 11012A)	11012-1431	2
GUIDE-CHAIN,RR,INSIDE (Ref # 12053)	12053-1105	1
GUIDE-CHAIN,RR (Ref # 12053A)	12053-1179	1
GUIDE-CHAIN,FR,LWR (Ref # 12053B)	12053-1208	1
GUIDE-CHAIN,FR,UPP (Ref # 12053C)	12053-1213	1
ARM-COMP-SWING (Ref # 33001)	33001-1276	1
SHAFT-SWING ARM (Ref # 33032)	33032-1127	2
ADJUSTER-CHAIN,OUTSID (Ref # 33040)	33040-1058	2
ADJUSTER-CHAIN,INSIDE (Ref # 33040A)	33040-1059	2
SLEEVE,SWING ARM (Ref # 42036)	42036-1064	2
GUARD,CALIPER (Ref # 55020)	55020-1247	1
SCREW,6X14 (Ref # 92009)	92009-1287	2
NUT,14MM (Ref # 92015)	92015-1407	1
NUT-6MM (Ref # 92015A)	92015-1078	5
NUT-8MM (Ref # 92015B)	92015-1143	2
WASHER 6.5X20X1.6T (Ref # 92022)	92022-125	3
BEARING-NEEDLE,TA2030 (Ref # 92046)	92046-1128	2
BOLT-FLANGED-SMALL (Ref # 132)	132G0625	3
SCREW CNTSNK HD 6X10 (Ref # 221)	221B0610	4
SCREW,CONTRUNK HEAD (Ref # 221A)	221B0650	2
NUT 8MM (Ref # 318)	318G0800	2