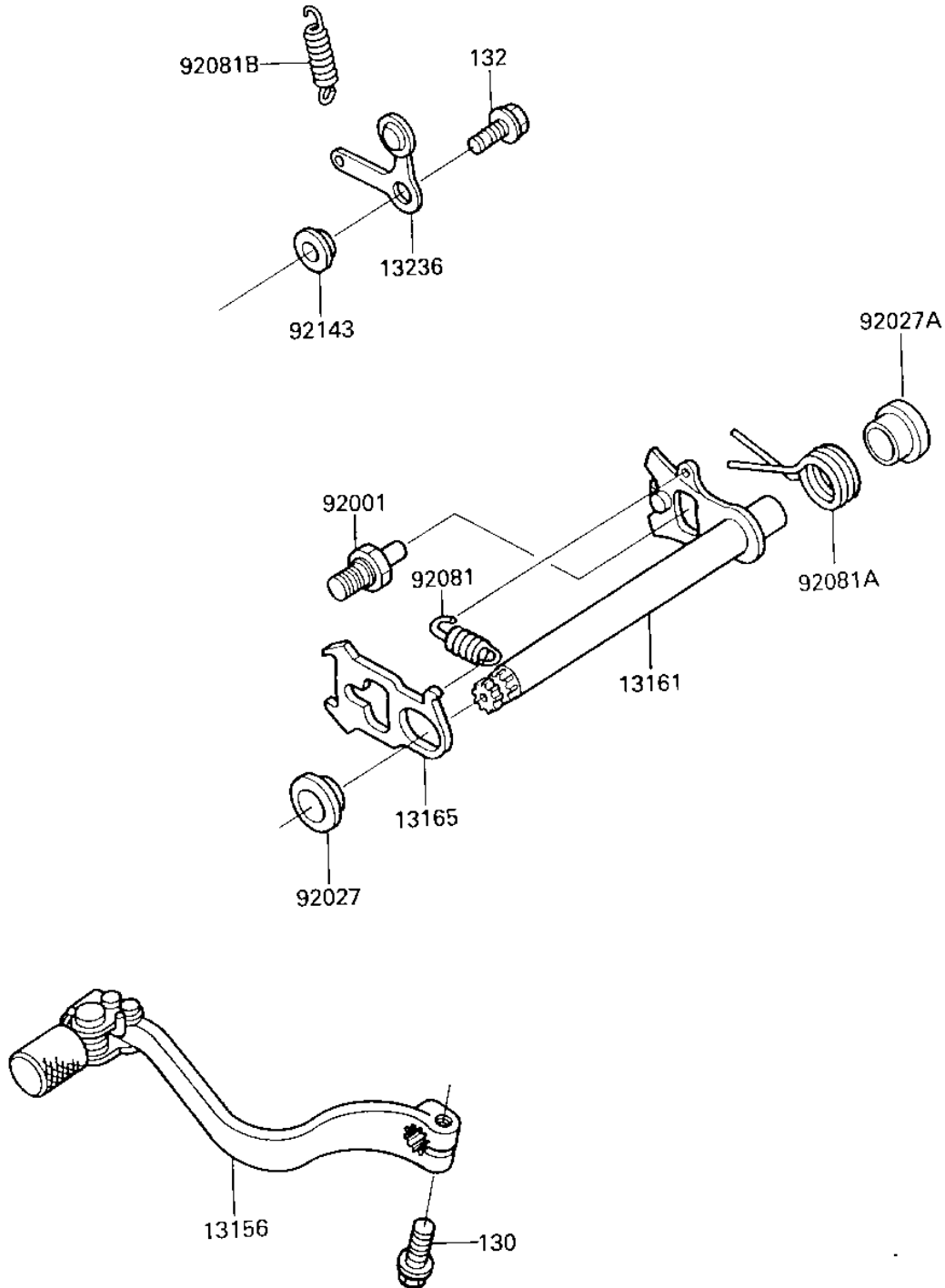


1987 KX125

PARTS DIAGRAM

GEAR CHANGE MECHANISM

E1370-0146



1987 KX125

PARTS LIST

GEAR CHANGE MECHANISM

ITEM NAME

PART NUMBER

QUANTITY
